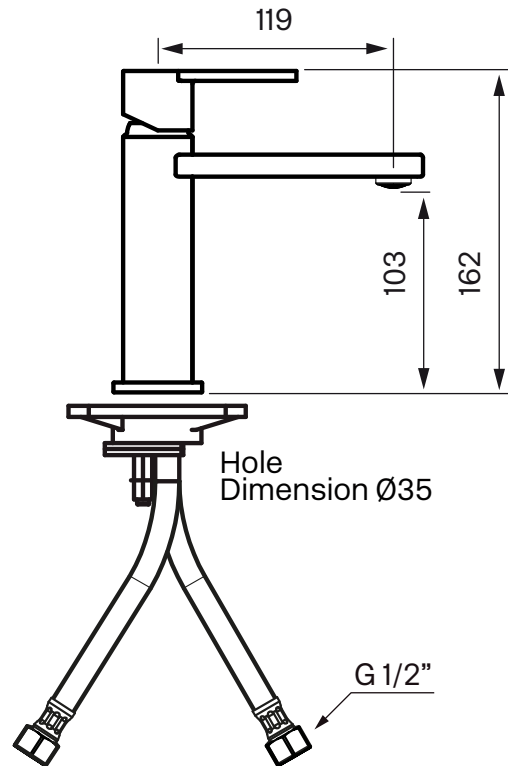


Tapwell

Product Sheet



LIN 071

Wash basin

Art. nr:

Chrome 9421091

Aerator: ZAER2120

Ceramic cartridge: ZA2253

Cleaning

Wipe the surface with a soft cloth and luke-warm water and possibly a mild soap. The surface withstands no basic, acidic, lime dissolving or abrasive detergents.

Decalcification

Aerators shall regularly be decalcified by water and vinegar mix for a few hours.

Lubrication

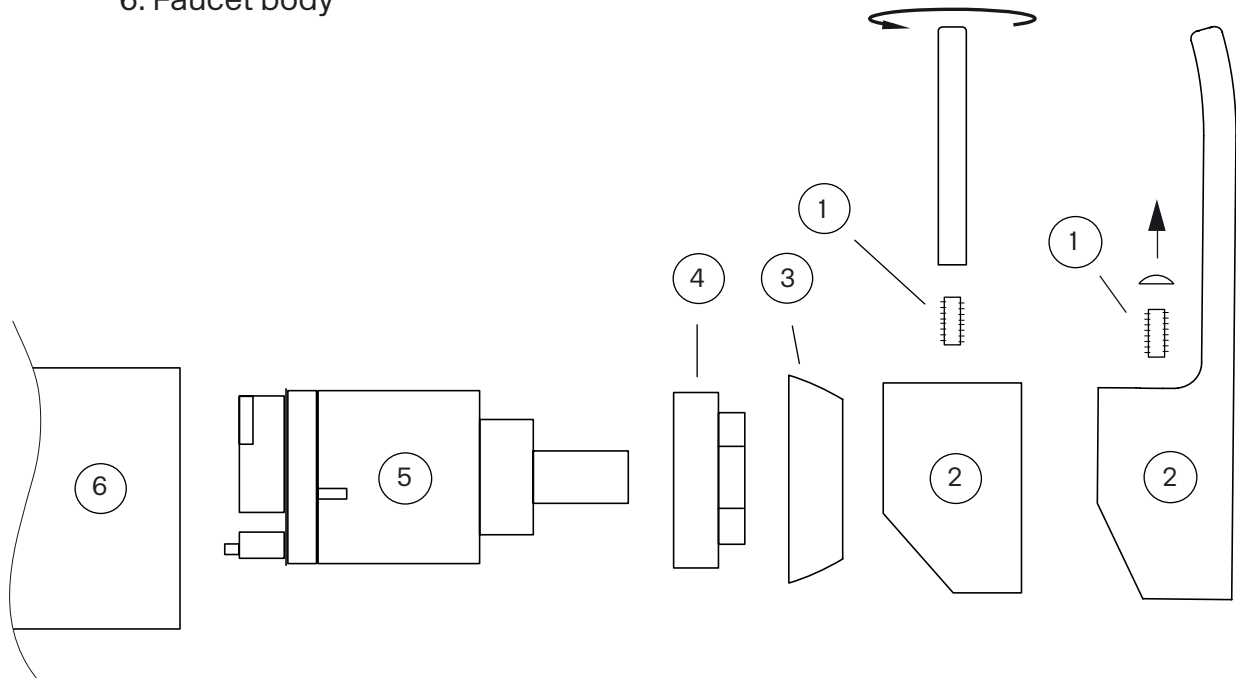
Lubricate only with silicone grease.

Replacing Cartridge

The ceramic disc needs to be replaced if the outlet spout or the water flow and temperature adjuster lever drip.

Article description:

1. Locking screw for the lever handle
2. Lever handle
3. Cover cap
4. Locking nut for the ceramic cartridge
5. Ceramic cartridge
6. Faucet body



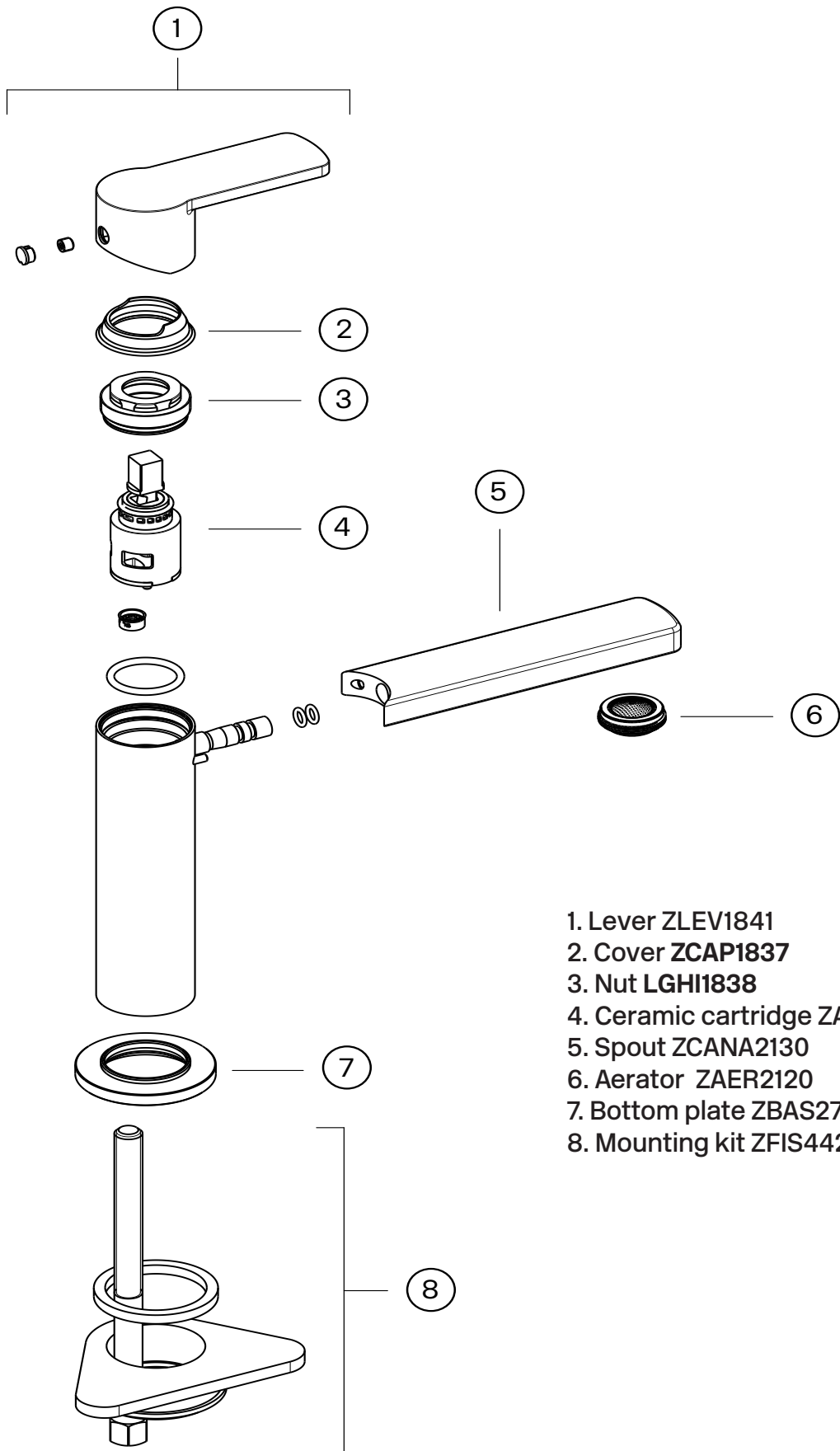
Working order:

NOTE - the water to the main line must be turned off!

1. The water to the mixer (6) is turned off and the mixer opened to drain off the water.
2. Unscrew the lever/pry off the cover plug.
3. The locking screw (1) that holds the lever handle (2) is loosened about 1 turn using a 2.5 mm Allen key and the lever handle is pulled off by hand.
4. The cover cap (3) is unscrewed by hand.
5. The locking nut (4) for the ceramic cartridge (5) is unscrewed with a fixed wrench.
6. The ceramic cartridge (5) is pulled out by hand and the cartridge seating in the mixer housing is then carefully cleaned of any particles and limescale. Rinse the mixer.
7. Put the new cartridge in place. During assembly, the cartridge must be turned to the position where the guide pins in the bottom are secured in the corresponding outlets in the bottom of the mixer housing.
8. Reassemble in the reverse order.

Tapwell

Explosion drawing



1. Lever ZLEV1841
2. Cover ZCAP1837
3. Nut LGHI1838
4. Ceramic cartridge ZA2253
5. Spout ZCANA2130
6. Aerator ZAER2120
7. Bottom plate ZBAS2761
8. Mounting kit ZFIS442

Tapwell

Flow rate

LIN 071

