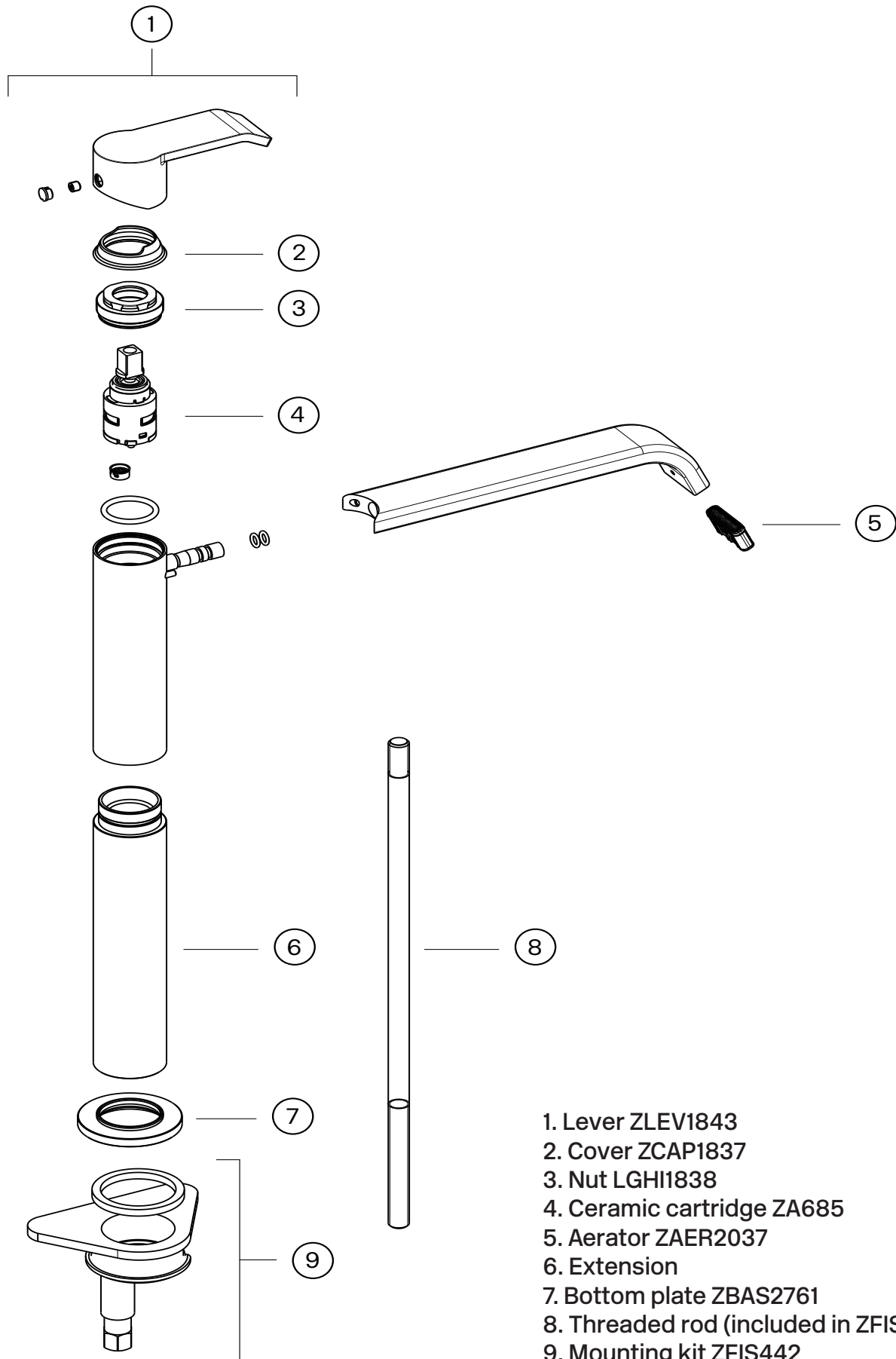


# Tapwell

## Explosion drawing



1. Lever ZLEV1843
2. Cover ZCAP1837
3. Nut LGHI1838
4. Ceramic cartridge ZA685
5. Aerator ZAER2037
6. Extension
7. Bottom plate ZBAS2761
8. Threaded rod (included in ZFIS442)
9. Mounting kit ZFIS442