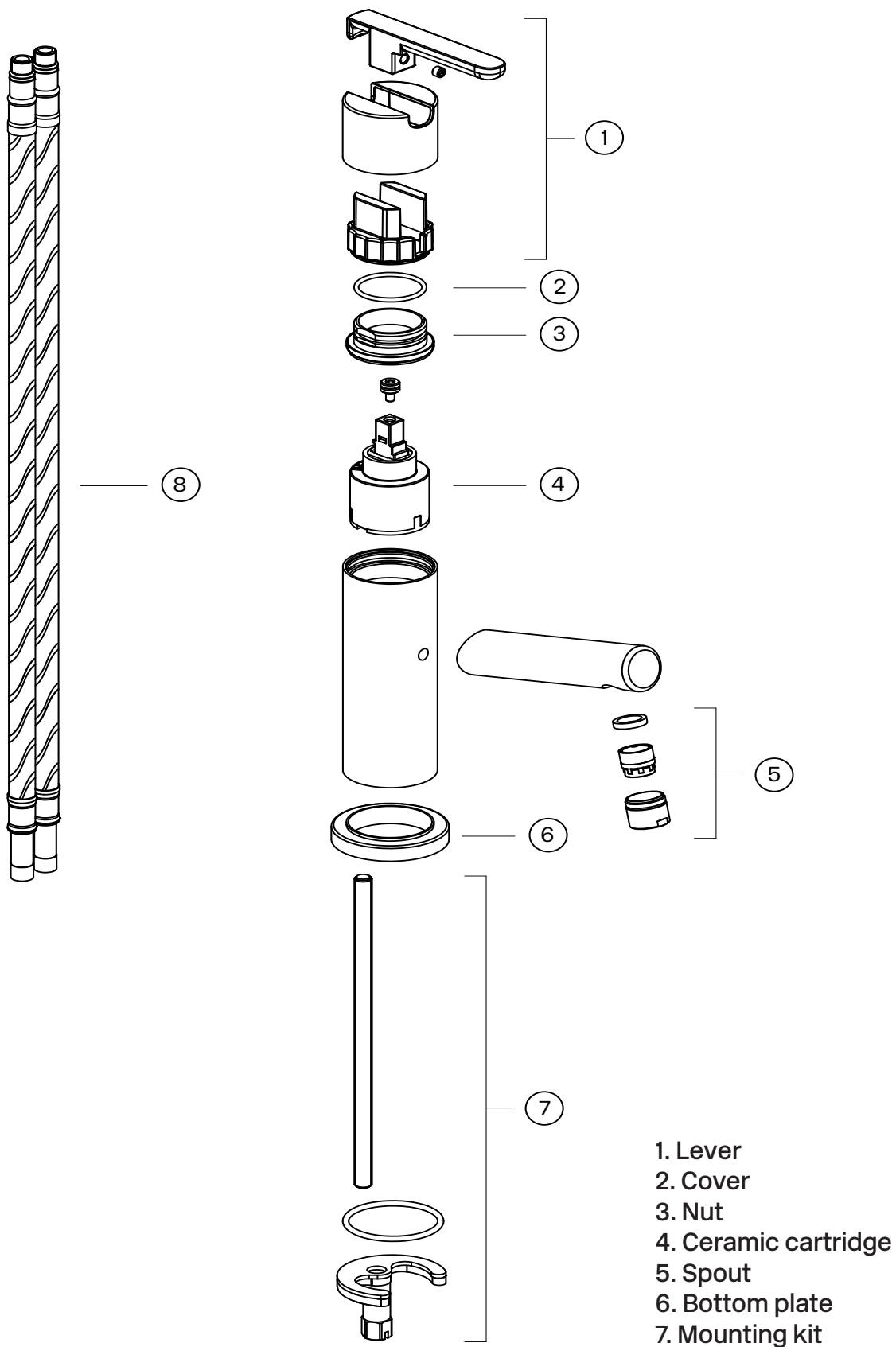


# Tapwell

## Explosion drawing



1. Lever
2. Cover
3. Nut
4. Ceramic cartridge
5. Spout
6. Bottom plate
7. Mounting kit