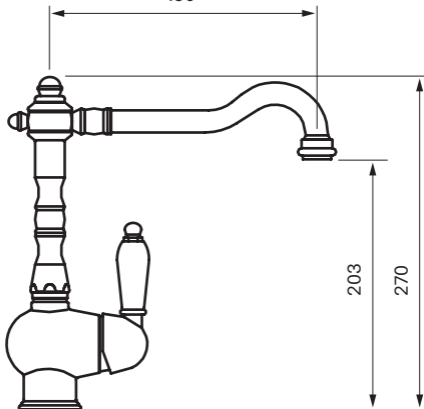


190



203

270

Hole Dimension $\text{\O}35$

G1/2"

