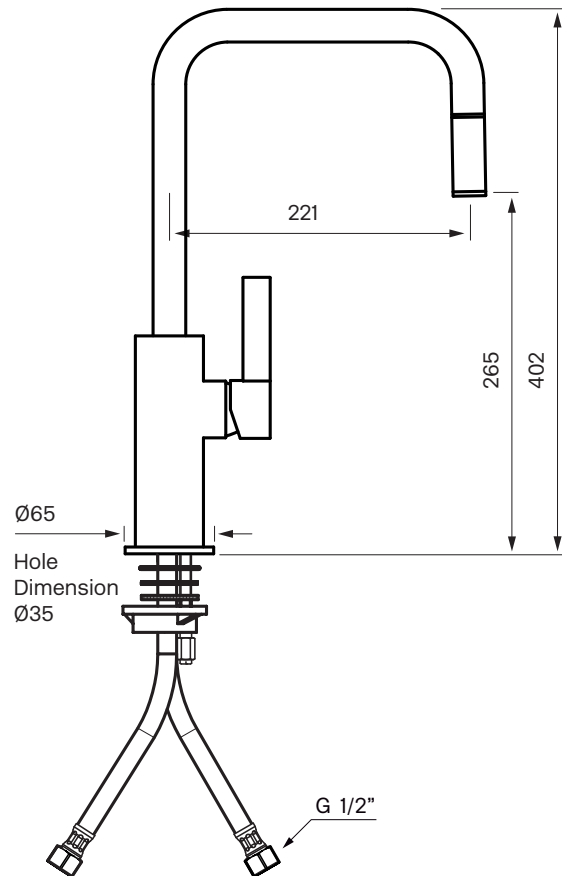


## Product Sheet



### ARM 985

Kitchen faucet with pullout hand shower

Art.Nr:

Chrome **9421365**

Brass **9421370**

Copper **9421371**

Rose Gold **9421368**

White Gold **9421369**

Black Chrome **9421366**

Honey Gold **9421367**

Brushed Nickel **9421373**

Matte Black **9421372**

Aerator: ZAER2743

Ceramic cartridge: ZA1291

### Cleaning

Wipe the surface with a soft cloth and luke-warm water and possibly a mild soap. The surface withstands no basic, acidic, lime dissolving or abrasive detergents.

Brass is a material that over time will get a beautiful patina but can be polished with brass polish.

Copper will also get patina but should not be polished. The other surfaces keep their shine and Honey Gold, Rose Gold and White Gold gets the luster from 2-3% real gold.

### Decalcification

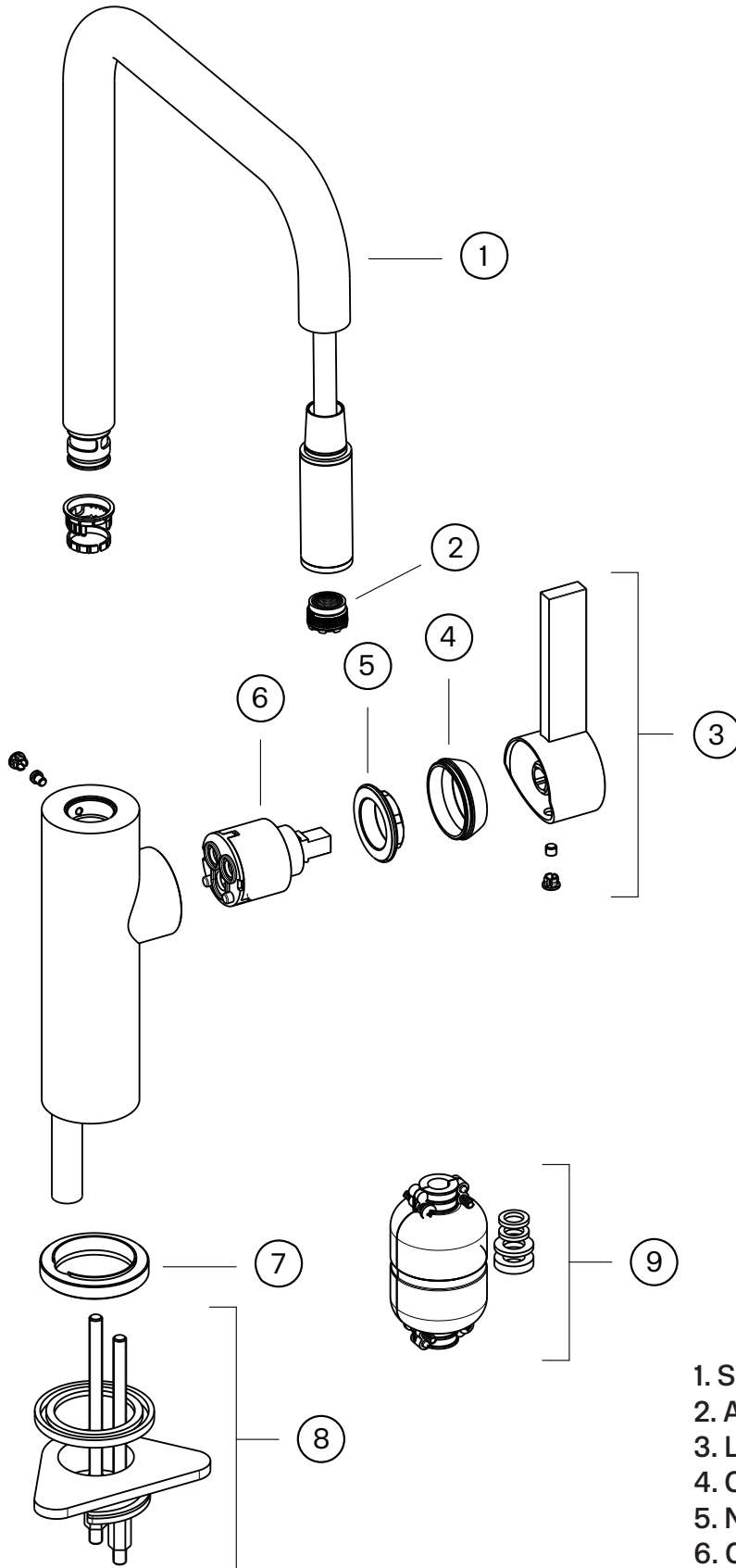
Aerators shall regularly be decalcified by water and vinegar mix for a few hours.

### Lubrication

Lubricate only with silicone grease.

# Tapwell

## Explosion Drawing



1. Spout ZCANA2742
2. Aerator ZAER2743
3. Lever ZLEV193
4. Cover ZCAP794
5. Nut LGHI112
6. Ceramic cartridge ZA1291
7. Bottom plate ZBAS2748
8. Mounting kit ZFIS2558
9. Weight for hand shower hose

# Tapwell

## Flow rate

### ARM 985

