

VLV 065

Wash basin mixer

Article number:
Chrome 8227290
Brass 9418553

Aerator: ZAER002
Ceramic cartridge: ZVIT001 + ZVIT002

Cleaning

Wipe the surface with a soft cloth and luke-warm water and possibly a mild soap. The surface withstands no basic, acidic, lime dissolving or abrasive detergents.

Brass is a material that over time will get a beautiful patina but can be polished with brass polish.

Decalcification

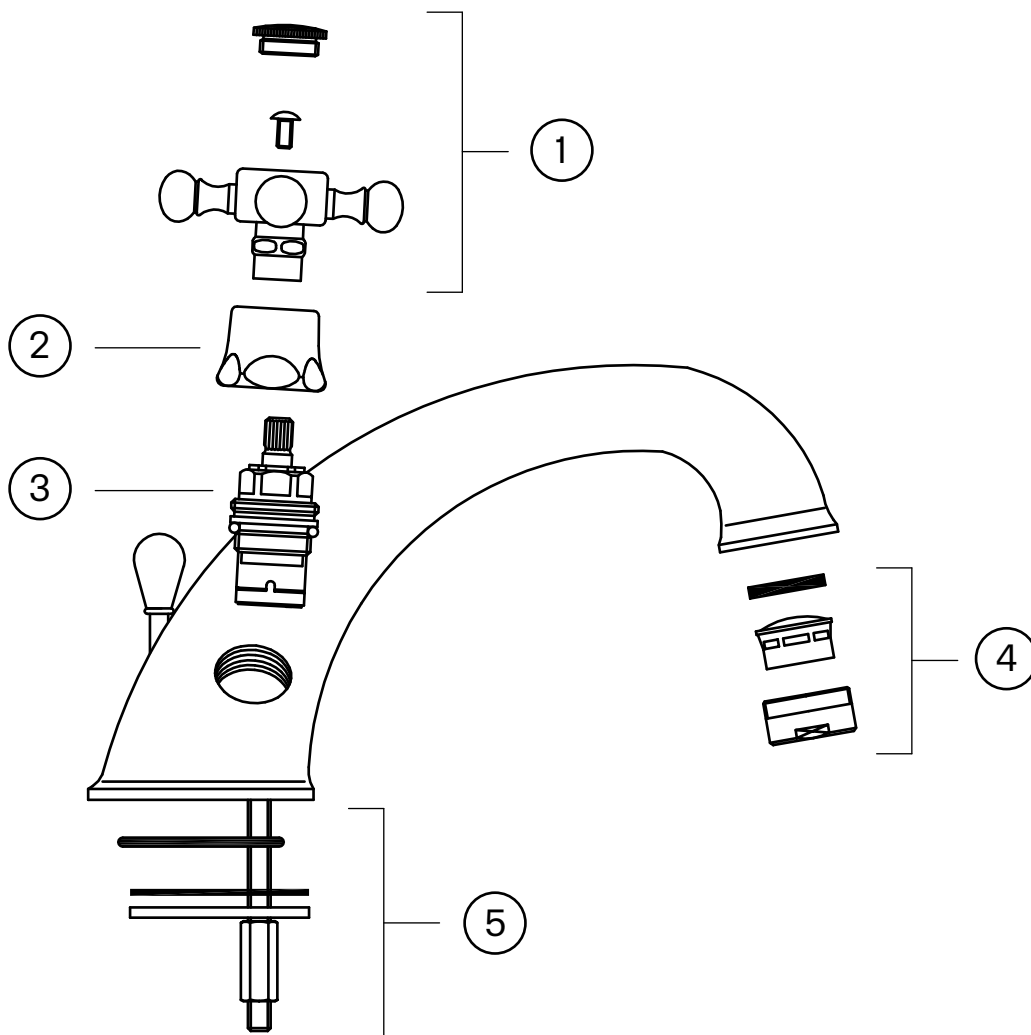
Aerators shall regularly be decalcified by water and vinegar mix for a few hours.

Lubrication

Lubricate only with silicone grease.

Explosion drawing

1. Lever **ZMAN056**
2. Cover **ZCAP007**
3. Ceramic cartridge **ZVIT001 (cold) & ZVIT002 (hot)**
4. Aerator **ZAER002**
5. Mounting kit **ZFIS079**



Tapwell

Flow rate

