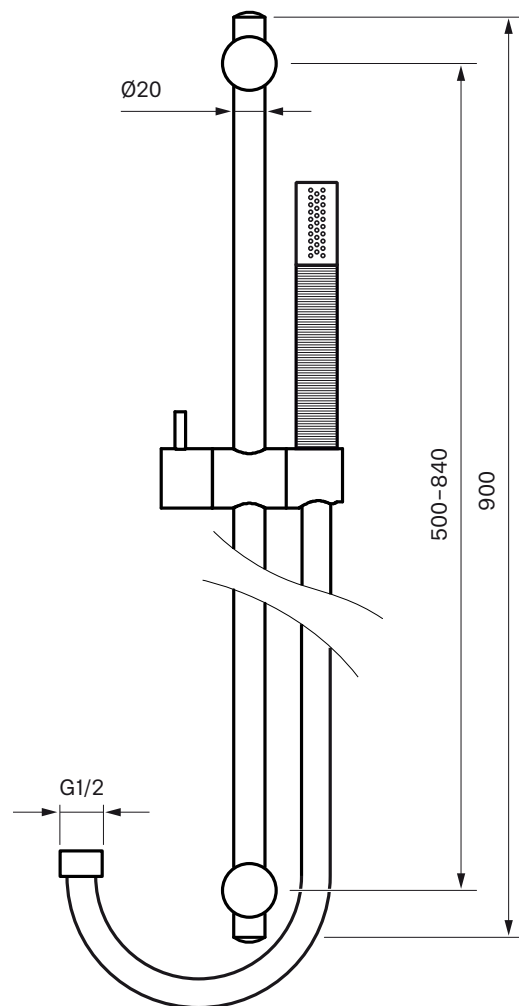


## Product Sheet



### ZSAL 300

Shower rail DSO with adjustable wall bracket 67-84 cm.

**Article number:**

Chrome **9418755**

Brass **9418801**

Copper **9419321**

Rose Gold **9419323**

Black Chrome **9419320**

Honey Gold **9419322**

White Gold **9419324**

Matte Black **9420742**

Hand shower: **DS014090**

Shower hose: **ZFLO001**

### Cleaning

Wipe the surface with a soft cloth and luke-warm water and possibly a mild soap. The surface withstands no basic, acidic, lime dissolving or abrasive detergents.

Brass is a material that over time will get a beautiful patina but can be polished with brass polish.

The other surfaces keep their shine and Honey Gold, Rose Gold and White Gold gets the luster from 2-3% real gold.

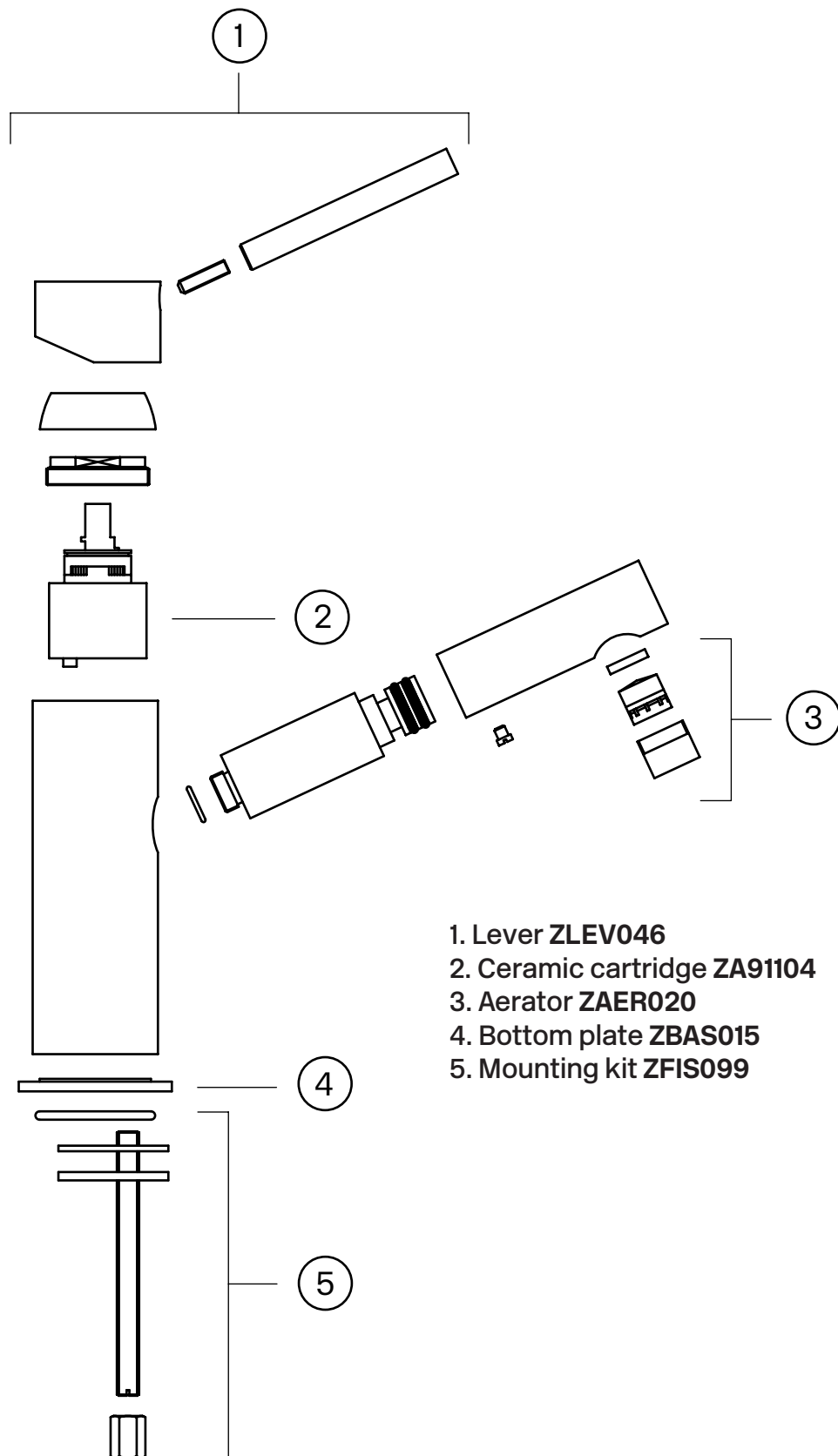
### Decalcification

Aerators shall regularly be decalcified by water and vinegar mix for a few hours.

### Lubrication

Lubricate only with silicone grease.

## Explosion drawing



- 1. Lever ZLEV046
- 2. Ceramic cartridge ZA91104
- 3. Aerator ZAER020
- 4. Bottom plate ZBAS015
- 5. Mounting kit ZFIS099

# Tapwell

---

## Flow rate

BI 071

