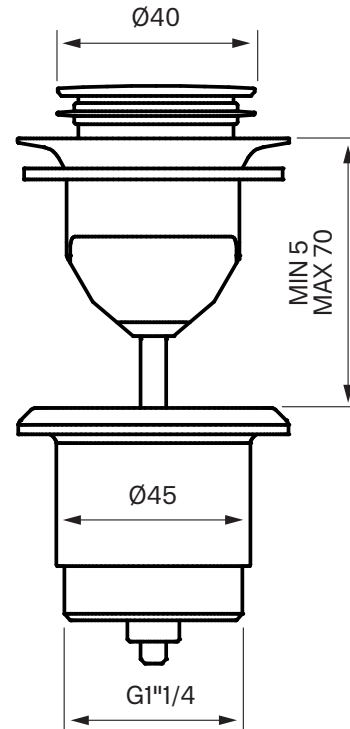


Tapwell

Product Sheet



88200

Universal pop-up waste.

Art. Nr:

Chrome **9421102**

Cleaning

Wipe the surface with a soft cloth and luke-warm water and possibly a mild soap. The surface withstands no basic, acidic, lime dissolving or abrasive detergents.

Decalcification

Aerators etc shall regularly be decalcified by water and vinegar mix for a few hours.

Lubrication

Lubricate only with silicone grease.