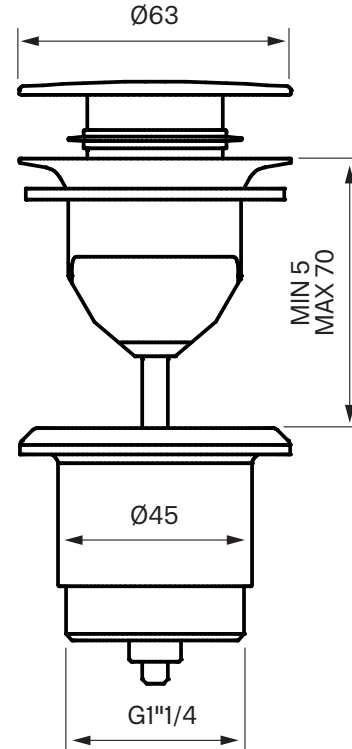


# Tapwell

---

## Product Sheet



**84200**

Universal pop-up waste.

**Art. Nr:**

**Chrome 9421103**

### Cleaning

Wipe the surface with a soft cloth and luke-warm water and possibly a mild soap. The surface withstands no basic, acidic, lime dissolving or abrasive detergents.

### Decalcification

Aerators etc shall regularly be decalcified by water and vinegar mix for a few hours.

### Lubrication

Lubricate only with silicone grease.