

XACC 167

Bottle trap waste.

Art. Nr:

Chrome **8073794**

Brass **9417837**

Copper **9418616**

Rose Gold **9418706**

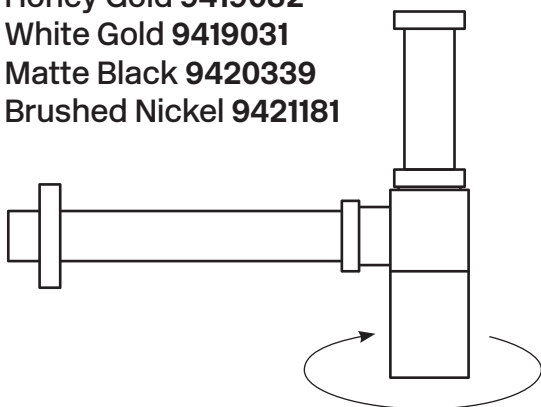
Black Chrome **9418945**

Honey Gold **9419032**

White Gold **9419031**

Matte Black **9420339**

Brushed Nickel **9421181**



Cleaning

Unscrew the water trap to clean the inside by unscrewing the bottom part counterclockwise.

Cleaning

Wipe the surface with a soft cloth and luke-warm water and possibly a mild soap. The surface withstands no basic, acidic, lime dissolving or abrasive detergents.

Brass is a material that over time will get a beautiful patina but can be polished with brass polish.

Copper should not be polished. The other surfaces keep their shine and Honey Gold, Rose Gold and White Gold gets the luster from 2-3% real gold.

Decalcification

Aerators etc shall regularly be decalcified by water and vinegar mix for a few hours.

Lubrication

Lubricate only with silicone grease.