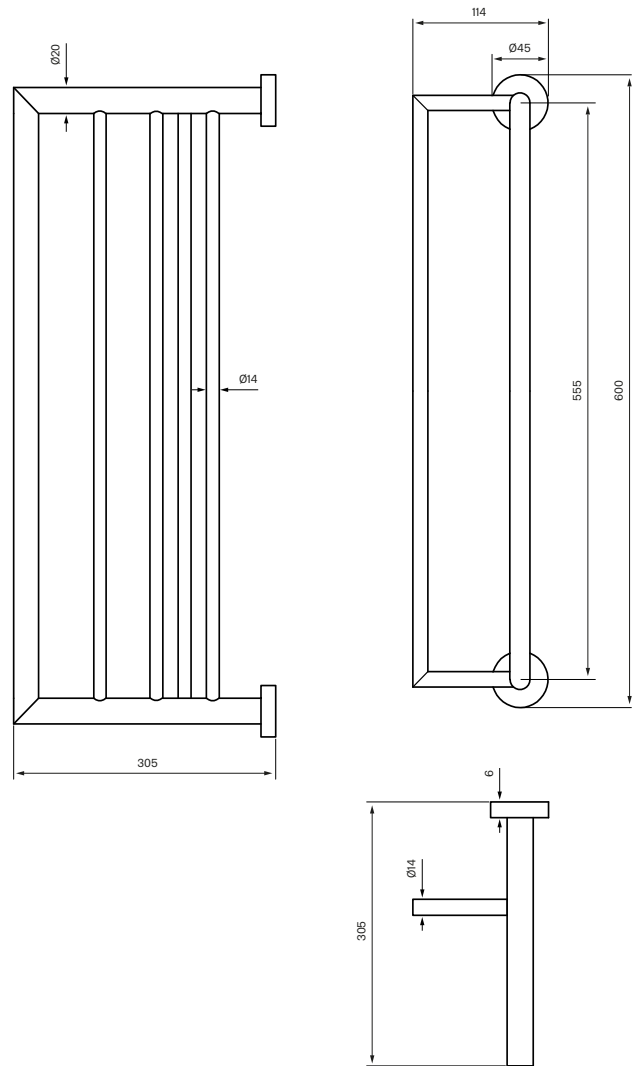


Product Sheet



TA 814

Towel shelf.

Article number:

Chrome **9419153**

Brass **9419154**

Copper **9420092**

Rose Gold **9419156**

Black Chrome **9419159**

Honey Gold **9419158**

White Gold **9419157**

Matte Black **9420586**

Cleaning

Wipe the surface with a soft cloth and luke-warm water and possibly a mild soap. The surface withstands no basic, acidic, lime dissolving or abrasive detergents.

Brass is a material that over time will get a beautiful patina but can be polished with brass polish.

The other surfaces keep their shine and Honey Gold, Rose Gold and White Gold gets the luster from 2-3% real gold.

Decalcification

Aerators shall regularly be decalcified by water and vinegar mix for a few hours.

Lubrication

Lubricate only with silicone grease.