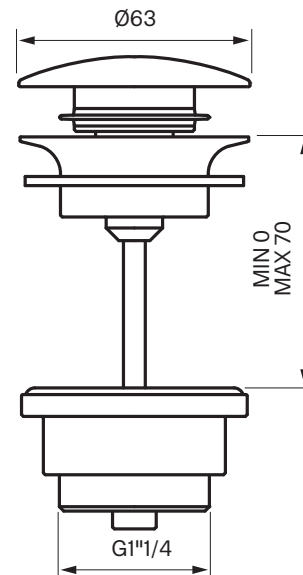


# Tapwell

---

## Product Sheet



### 74400

Universal pop-up waste.

**Art. Nr:**

Chrome **8575833**

Brass **9417922**

Copper **9418602**

Rose Gold **9418701**

Black Chrome **9418944**

White Gold **9419024**

Honey Gold **9419025**

Matte Black **9418312**

### Cleaning

Wipe the surface with a soft cloth and luke-warm water and possibly a mild soap. The surface withstands no basic, acidic, lime dissolving or abrasive detergents.

Brass is a material that over time will get a beautiful patina but can be polished with brass polish.

Copper will also get patina but should not be polished. The other surfaces keep their shine and Honey Gold, Rose Gold and White Gold gets the luster from 2-3% real gold.

### Decalcification

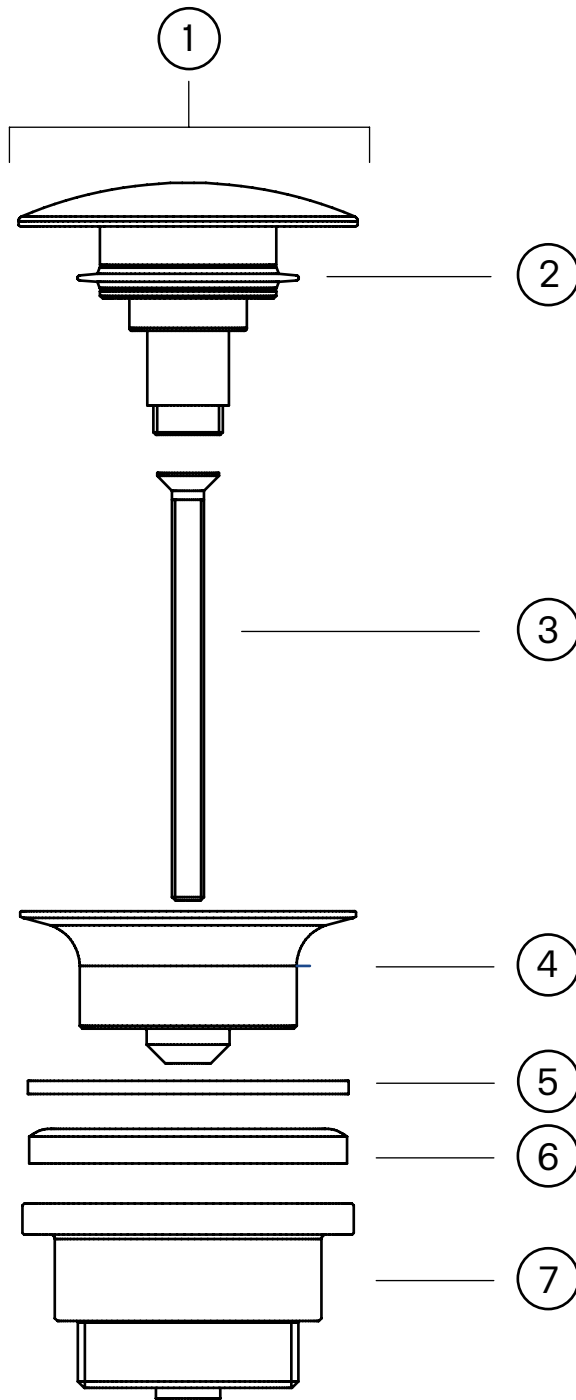
Aerators etc shall regularly be decalcified by water and vinegar mix for a few hours.

### Lubrication

Lubricate only with silicone grease.

# Tapwell

## Explosion drawing



1. Top plate PS-101
2. Rubber gasket ME232F00GO
3. Screw VI076
4. Middle piece PI099
5. Seal gasket GU265
6. Gasket GU231
7. Bottom piece RA094