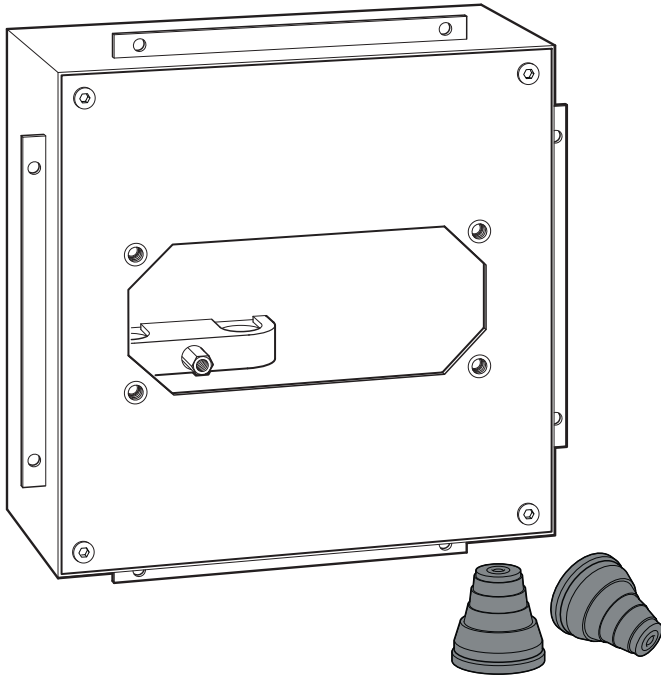


Tapwell

Tap-Box 2525, RSK 8236048

For built in mixer BOX 006 and BOX 022



Installation Instructions

edition 140221

Section 1, General instructions

Content:

Section 1: General instructions

Section 2: Installation of the box in wall structures with wooden or steel studs.

Section 3: Installation of the box in concrete wall structures.

Section 4: Installation of the waterproofing membrane.

The installation instructions apply to:

The installation instructions apply to Tapwell Tap-Box 2525 for Tapwell wash basin mixer for concealed installation.

Tapwell Tap-Box 2525 is designed for walls with ceramic tiles and is not recommended for walls with wet room matting or where plastic matting is used as the moisture barrier.

The size of the box is adapted for wall panels with an overall thickness of at least 25 mm.

The box comes with 2 pipe lead-throughs for an optional pipe material and optional dimensions according to the following:

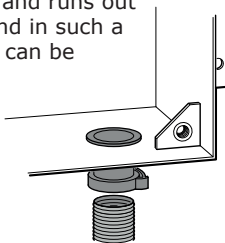
- Pipe-in-pipe system with corrugated pipes in o.d. 24, 25, 28 or 34 mm.
- Copper pipe type Prisol with o.d. 15 or 18 mm.
- AluPex pipe or PEX pipe with o.d. 16 or 20 mm.

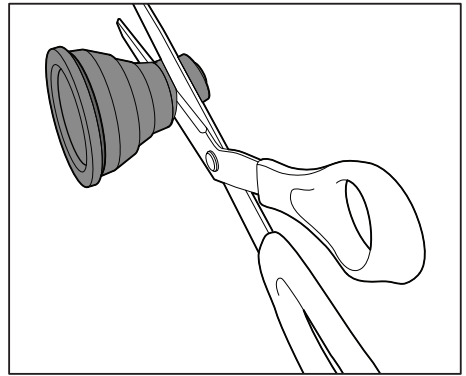
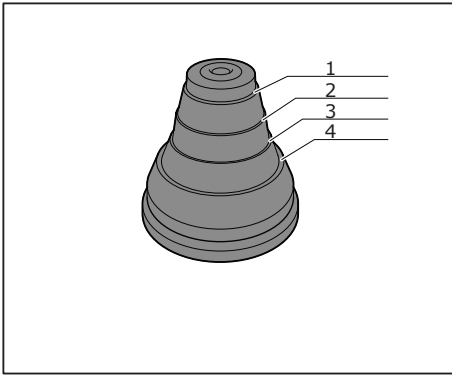
Rubber pipe lead-throughs are adapted to the pipe in question by cutting the lead-through. The delivery includes two lead-throughs.

In the event the media pipe in the pipe-in-pipe system is to be replaced, the supplied lock washer must be mounted on the actual corrugated pipe inside the box to eliminate the risk of pulling the corrugated pipe out from the box. The lock washer must be kept fully visible in the box.

The drainage pipe of 25 mm corrugated pipe is connected to the lead-through and runs out in the area with a floor drain and in such a way that leakage from the box can be discovered quickly.

NOTE the drainage pipe must not run out within wet zone 1.





1.1 Rubber pipe lead-throughs are adapted to the pipe in question by cutting. The delivery includes 2 lead-throughs.

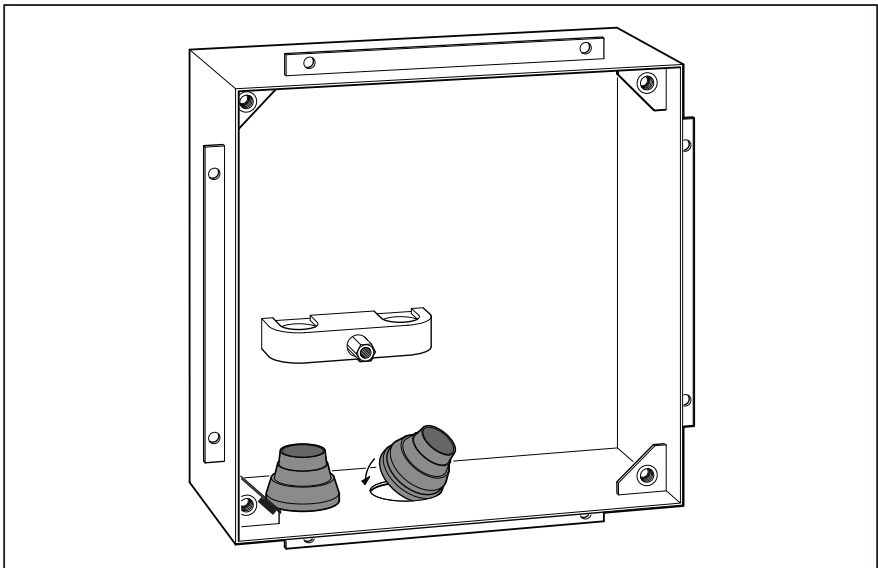
1 Copper pipe Prisol 15, PE-X 20, AluPE-X 20.

2 Copper pipe Prisol 18, corrugated pipe 24 and 25.

3 Corrugated pipe 28.

4 Corrugated pipe 34.

1.2 The easiest way to cut the lead-through is with scissors.



1.3 The dimension adapted pipe lead-throughs are installed.

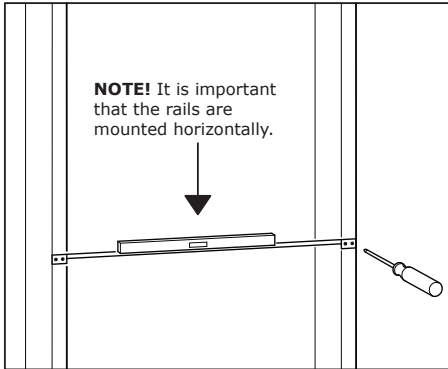
Section 2: Installation of the box in wall structures with wooden or steel studs

Note that the fastening rails to install the box are not included in the delivery but must be ordered separately. The rails are supplied in pairs and are available in two different designs:

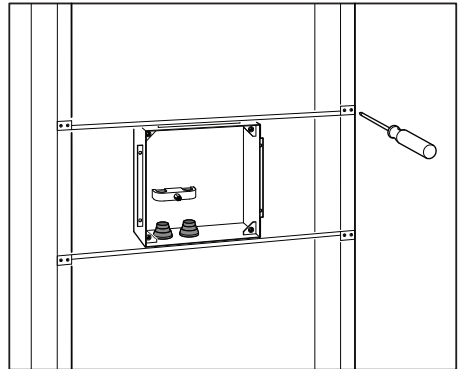
Type 600 for studs with c/c spacing 600 mm, RSK 8236046

Type 450 for studs with c/c spacing 450 mm, RSK 8236047

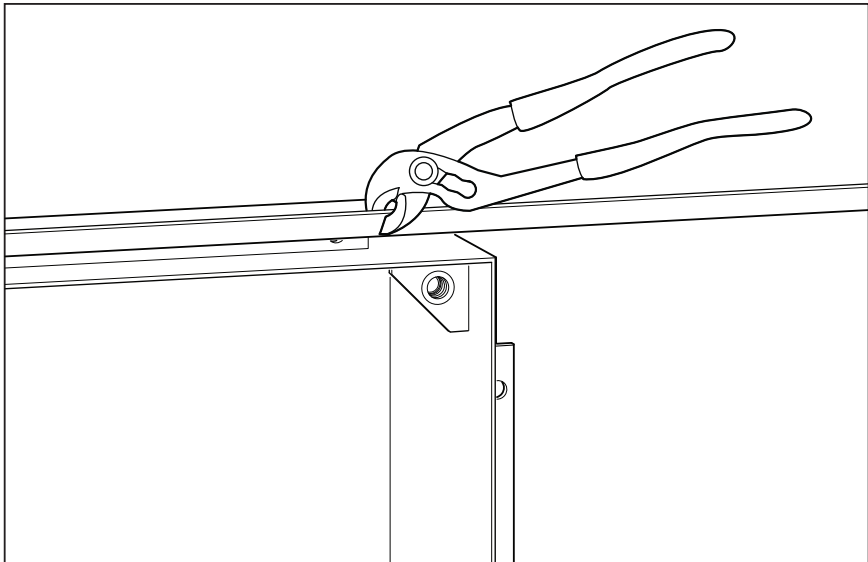
Screw fastenings for the box may not be made only in the wall panel.



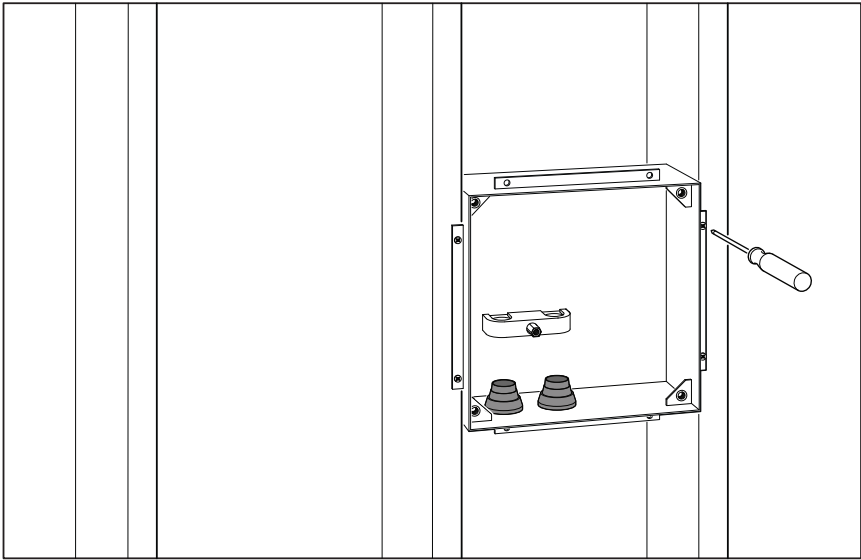
2.1 The lower fastening rail for the box is screwed horizontally to the wall studs. The top edge of the rail should be installed 138 mm below the required height of the mixer pipe's outlet from the wall.



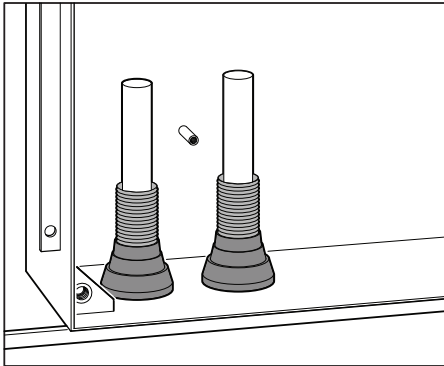
2.2 The box is positioned on the lower rail and the upper rail is screwed to the wall studs.



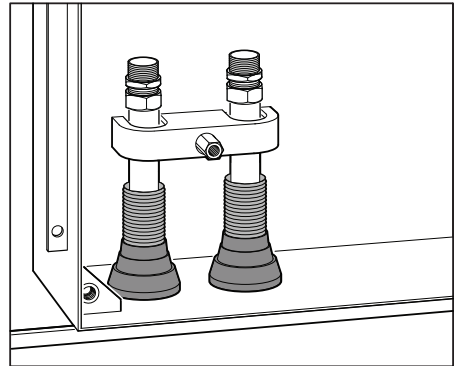
2.3 Check that the box is located at the required measurement sideways and then secure the position by deforming the rails using Polygrip pliers or the like.



2.4 Alternatively the box can be mounted directly against nogging pieces, which is performed on site. Check that the box is mounted horizontally.

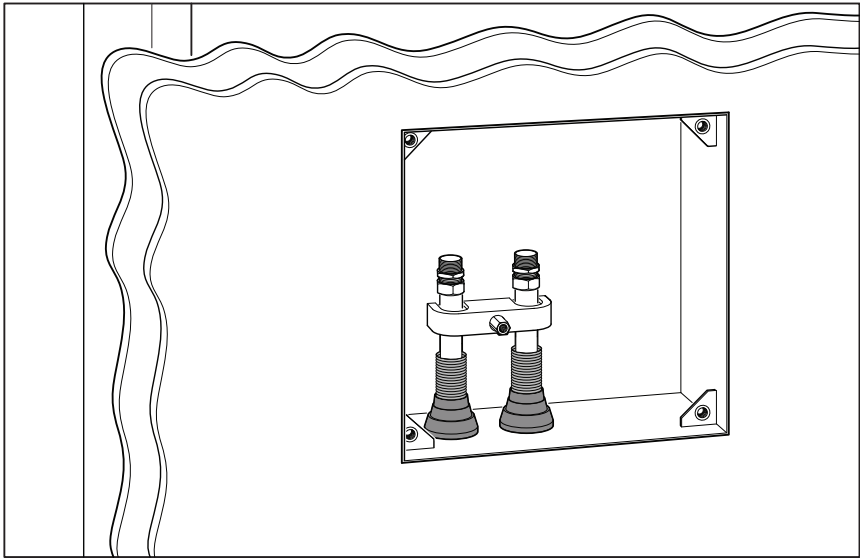


2.5 Cold and hot water pipes are routed in the box and the length adjusted.



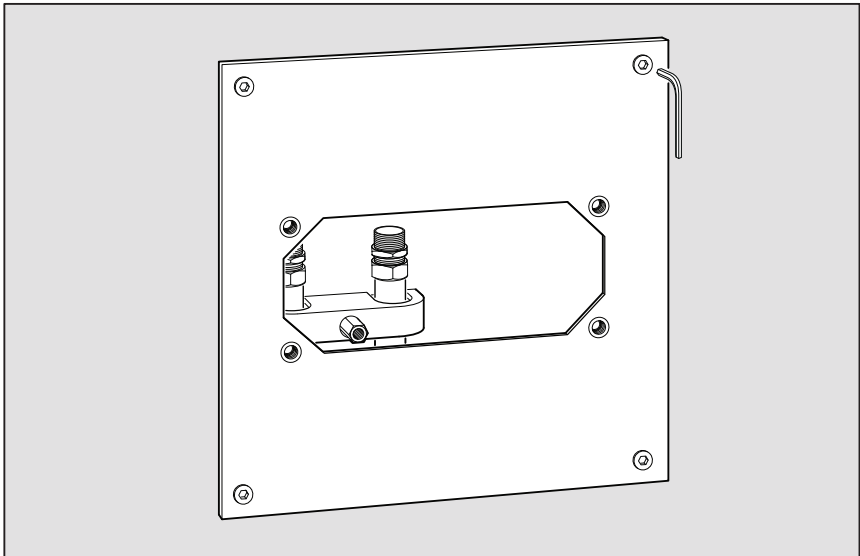
2.6 The couplings are mounted and the pipes are secured in the clamps. The couplings must be type approved to join the pipes used and be equipped with R15 male threads and for flat seals.

NOTE that the shut-off valve must be mounted on the branch pipe before the hose point.

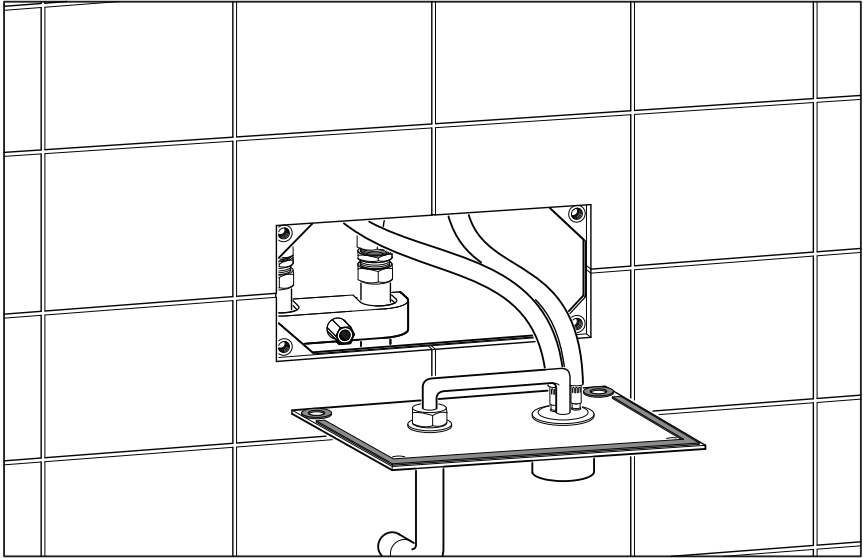


2.7 The wall panels must be installed by the building contractor and must be connected to the box's outer edges. The waterproofing membrane is applied according to the instructions in section 4.

NOTE! All work with the waterproofing membrane and all materials for this must be provided by the building contractor and performed according to the instructions in section 4.

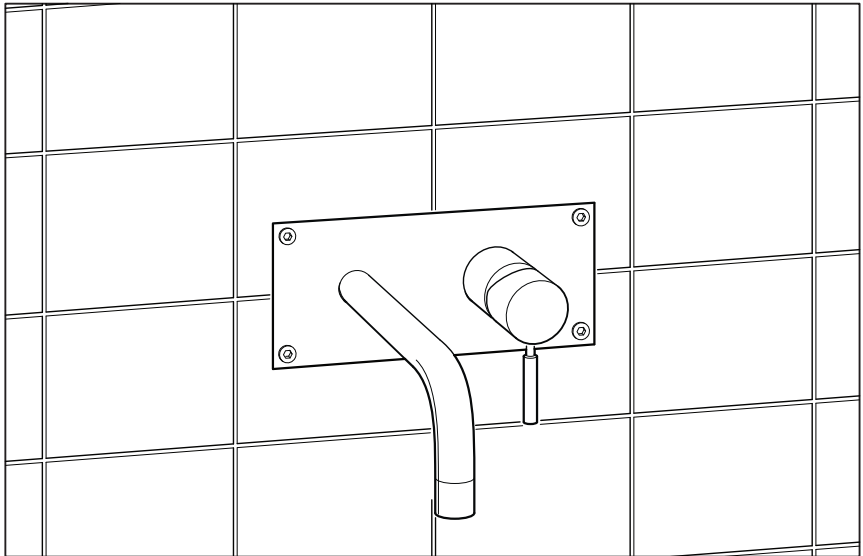


2.8 Position the telescopic part of the box and adjust to a level in line with the waterproofing membrane by tightening the screws alternately.



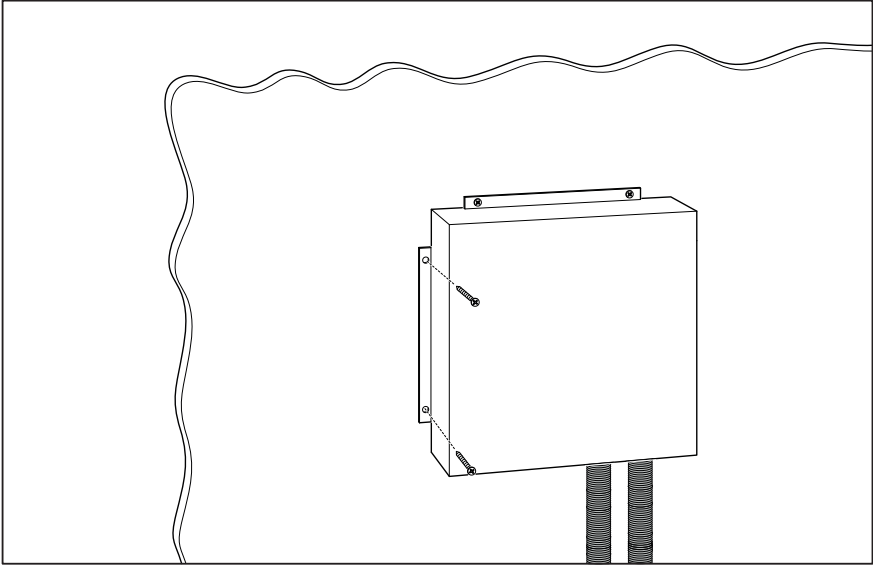
2.9 The flexible pipes are mounted in the mixer. Note the O-ring seals and that no other thread sealing material must be used. Only light tightening with an appropriate spanner is necessary. The flexible pipes are connected to the pipes in the box.

NOTE! The pipe system must be flushed before the mixer is connected. Tapwell is not responsible for disruptions to the function of the mixer caused by foreign particles in the pipe system.



2.10 Installing the mixer on the wall. The screws must be tightened until the distance between the mixer plate and the ceramic tiles is about 1 mm at the top edge and about 2 mm to the bottom edge. Check that there are no folds in the flexible connection pipes when the mixer plate is positioned.

Section 3: Installation of the box in concrete wall structures.



3.1 The box is fastened using 8 screws against the formwork at the right height and the lateral position. Check that the box is mounted horizontally. The seal between the box and formwork should be made to prevent leakage of concrete water into the box. Installation of the waterproofing membrane and ceramic tiles must be performed according to the instructions in section 4.

Section 4: Installation of the waterproofing membrane

This step is performed according to the Industry regulations Safe Water Installation.

The description in this section is only a principle description. The procedure can vary depending on which waterproofing membrane the supplier has chosen.

Example of suitable materials:

ARDEX Waterproofing system Tricom

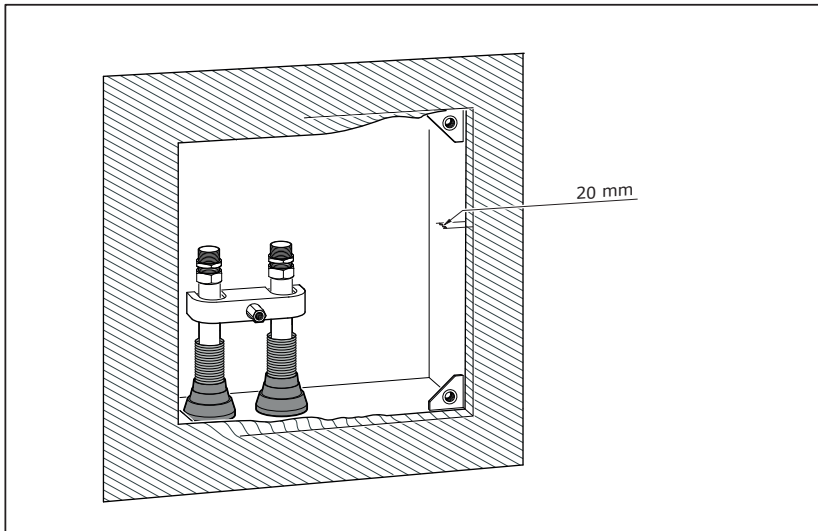
ARDEX Self-adhesive Sealing tape STB 15-75

The work must be performed according to ARDEX installation instructions.

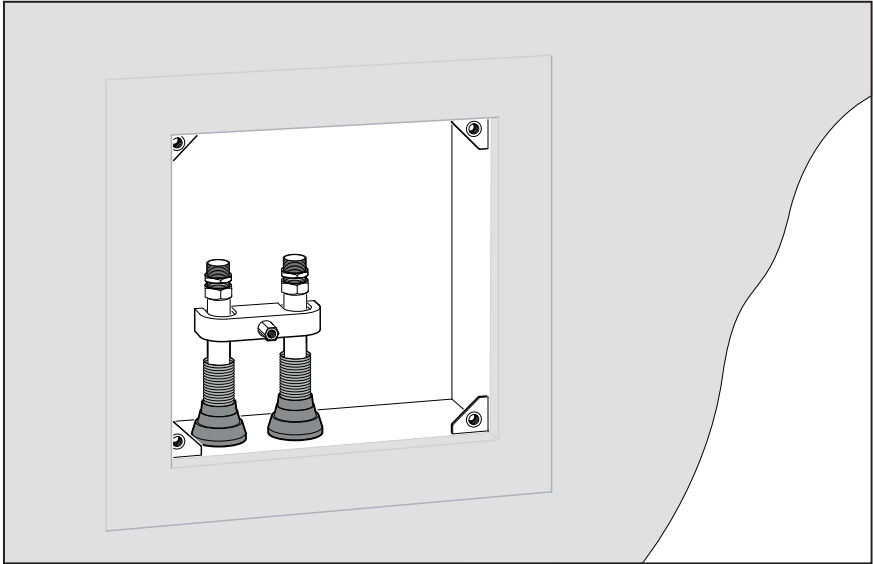
The supplier of the waterproofing membrane must have an approved system according to BBV's industry regulations. The sealing tape STB 15-75 is applied after the ARDEX Tricom membrane is installed up to the edge of the box, as shown in figure 4.1

NOTE! Implementation, responsibility and the supply of the materials for the connection of the waterproofing membrane to the box lies with the building contractor. The building contractor is also responsible that appropriate fixing compound is used for the tiles fitted on the box's painted telescopic section.

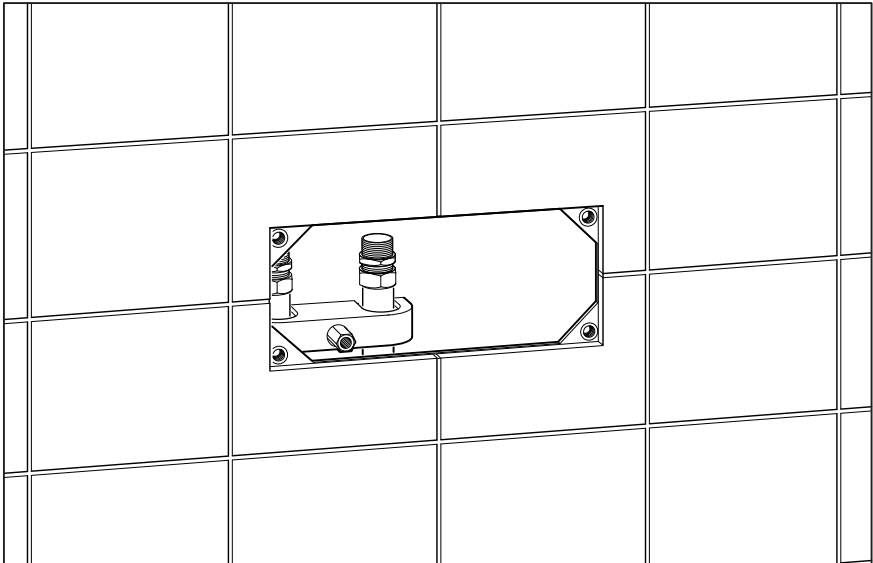
The telescopic section is painted with epoxy polyester powder paint.



4.1 Self-adhesive sealing tape ARDEX STB 15-75 is secured to ARDEX Tricom cloth and is folded down at least 20 mm in the box.



4.2 The sealing tape is applied according to the manufacturer's instructions.



4.3 Now secure the ceramic tiles on the wall. The recess for the mixer plate should be made flush with the hole edges of the telescopic section. **NOTE** that the screw holes for the mixer plate should not be covered by the tiles and the threads should be protected from the inflow of fixing compound.

Tapwell AB
Rensstiernas gata 31

SE-11631 Stockholm Sweden
Phone +46 8 652 38 00

Fax +46 8 651 38 01
info@tapwell.se • www.tapwell.se

Tapwell AS
Rolf Wikströms vei 15

NO-0484 Oslo Norway
Phone +47 23051430

Fax +47 23051431
info@tapwell.no • www.tapwell.no

Tapwell Oy
Metallimiehenkatu 2-4

04410 Järvenpää Finland
Phone +358 9 42415900

Fax +358 9 42415909
info@tapwell.fi • www.tapwell.fi

Tapwell Europe
Rensstiernas gata 31

SE-11631 Stockholm Sweden
Phone +41 79 374 21 00

Fax +46 8 651 38 01
sales@tapwell.com • www.tapwell.com
