

ARM5300-150 Shower column

ARM5300 Chrome

Article Number

ARM5300 Chrome - 9426683
ARM5300 Matte Black - 9426684
ARM5300 Brass - 9426685
ARM5300 Copper - 9426686
ARM5300 Bronze - 9426687
ARM5300 Black Chrome - 9426688
ARM5300 Honey Gold - 9426689
ARM5300 Brushed Black Chrome - 9426690
ARM5300 Brushed Nickel - 9426691

Shower system with pressure balanced thermostatic mixer, diverter in handle.



Cleaning

Wipe the surface with a soft cloth and lukewarm water and possibly with soap solution. Avoid alkaline, acid-liming or abrasive cleaners.

Brass is a material that over time gets a beautiful patina but can be polished with brass polish. Copper also gets patina but should not be polished. The other shiny surfaces retain their luster.

Decalcification

Aerators and shower handles should be regularly decalcified by placing them in a vinegar bath for a couple of hours. Should limescale stains occur, use eucalyptus oil and a soft cloth.

Lubrication

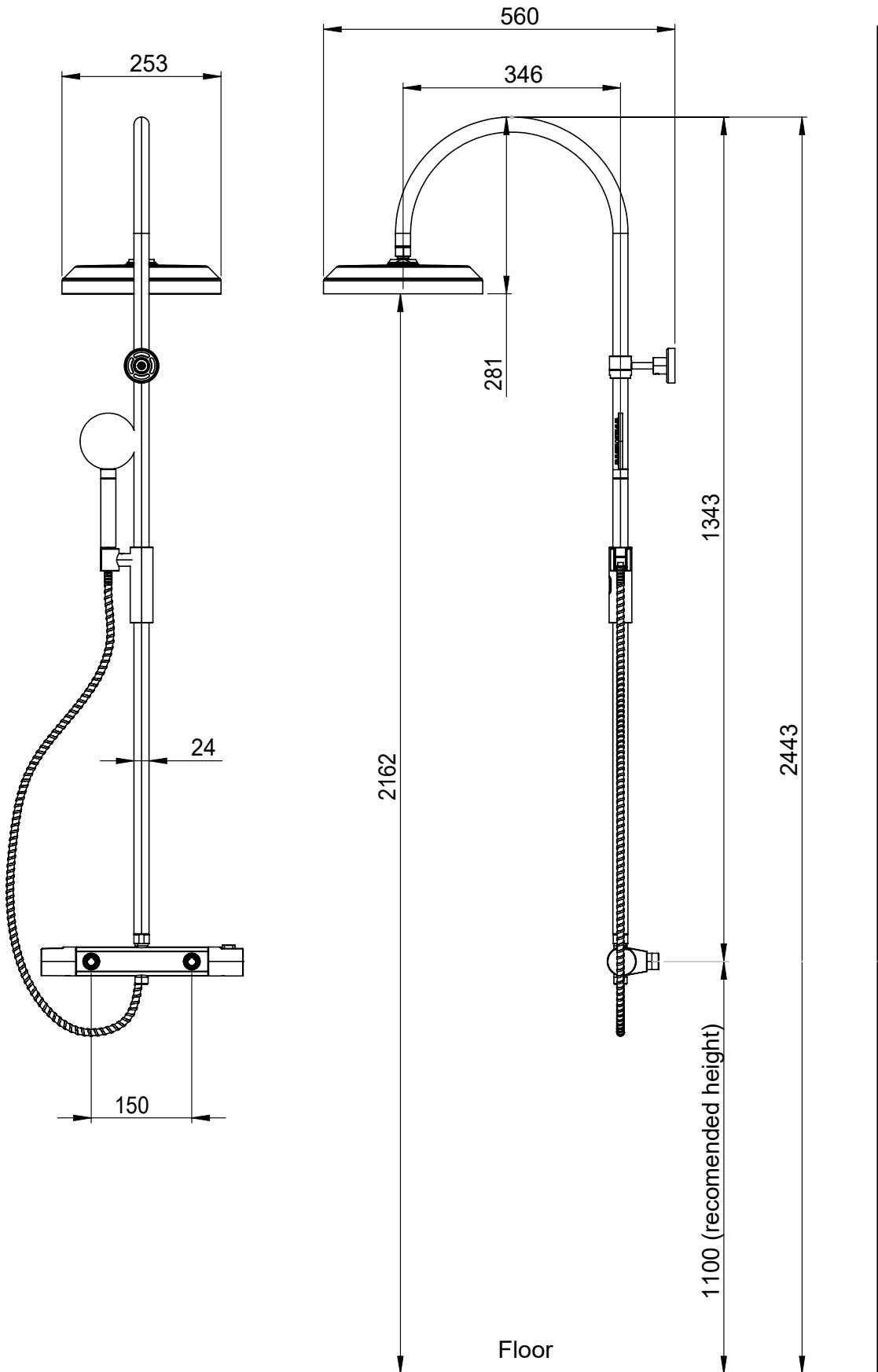
Lubricate only with silicone grease.

Maintenance

Visit our [YouTube channel](#) → where there are instructional videos for changing the ceramic cartridge, changing aerators and more.

Tapwell

Drawing - PDF



Tapwell

Pressure drop diagram

Test conditions:

Cold temperature: **20,00** Hot temperature: **60** Mix: **38**

Resistance class: **NN** Flow regulators (l/min): **NN**

Note: 10 Bar test with column Arm5200/5300

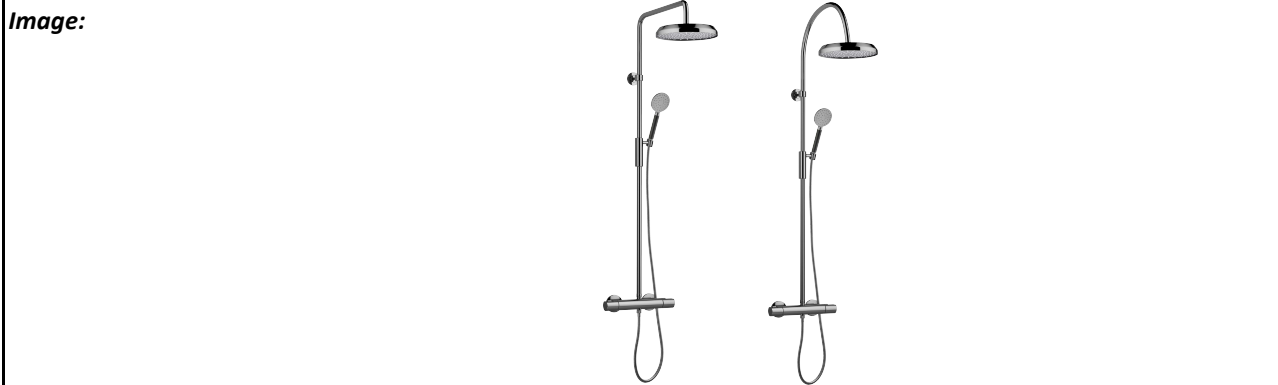


Table:

(Bar)	Test 1	Test 2	Test 3		
	(l/min)	(l/min)	(l/min)		
0	0	0	0		
0,5	4	5	5,3		
1	7	7,6	8,3		
2	11	11,1	13	test 1	hand shower
3	13,7	12,4	16,2	test 2	shower head with flow regulation 12 l/m
4	16,1	12,4	18,8	test 3	shower head without flow regulation
5	18,2	12,4	21,4		
6	20,2	12,5	23,3		
7	22	12,5	25,4		
8	23,6	12,5	26,8		
9	25,2	12,5	28		
10	26,5	12,5	29,1		

