

# Tapwell

## ARM026-150 Bath mixer

---

ARM026 Chrome

---

### Article Number

ARM026 Chrome - 9426644  
ARM026 Matte Black - 9426645  
ARM026 Brass - 9426646  
ARM026 Copper - 9426647  
ARM026 Bronze - 9426648  
ARM026 Black Chrome - 9426649  
ARM026 Honey Gold - 9426650  
ARM026 brushed black Chrome - 9426651  
ARM026 Brushed Nickel - 9426652

---

Bathtub mixer with pressure balanced thermostat and turnable spout.



# Tapwell

---

## **Cleaning**

Wipe the surface with a soft cloth and lukewarm water and possibly with soap solution. Avoid alkaline, acid-liming or abrasive cleaners.

Brass is a material that over time gets a beautiful patina but can be polished with brass polish. Copper also gets patina but should not be polished. The other shiny surfaces retain their luster.

## **Decalcification**

Aerators and shower handles should be regularly decalcified by placing them in a vinegar bath for a couple of hours. Should limescale stains occur, use eucalyptus oil and a soft cloth.

## **Lubrication**

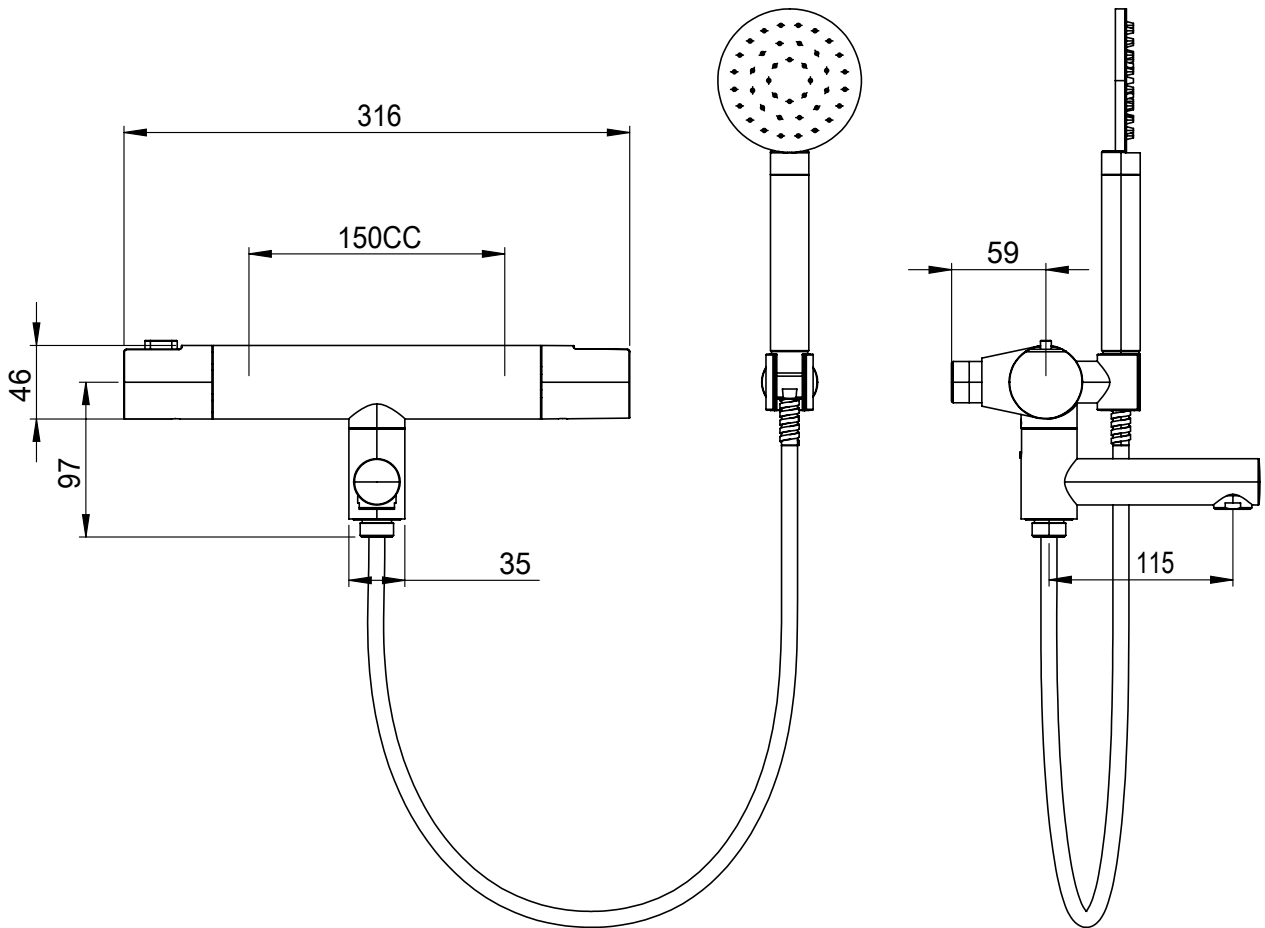
Lubricate only with silicone grease.

## **Maintenance**

Visit our [YouTube channel](#) → where there are instructional videos for changing the ceramic cartridge, changing aerators and more.

# Tapwell

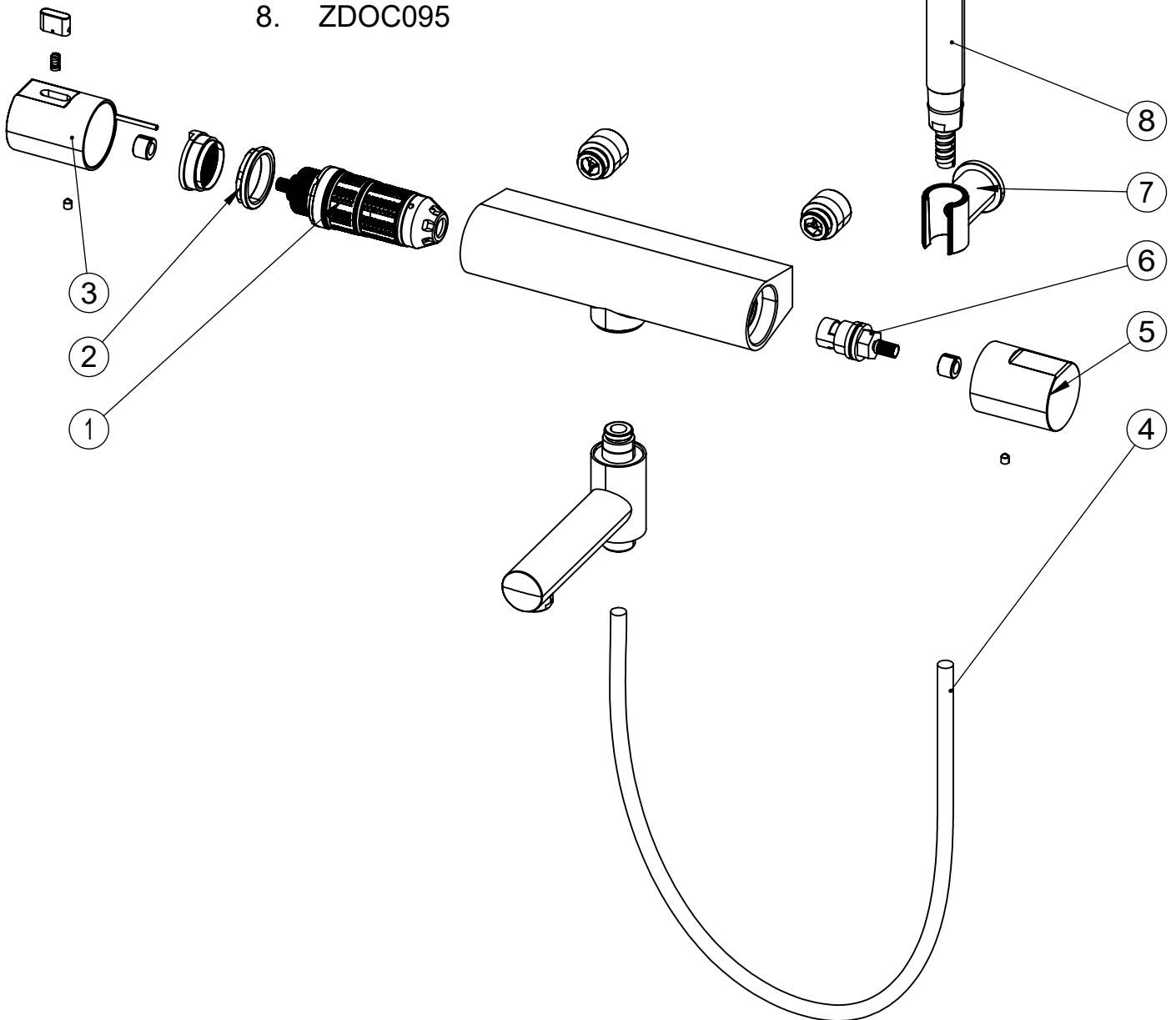
Drawing - PDF



# Tapwell

## Exploded View

1. Termostatinsats ZVIT550
2. Låsmutter för insats ZGHI503
3. Termostatvred
4. Slang ZFLO001
5. Flödesvred
6. Keramisk insats ZVIT528 - EVM169
7. Fäste för handdusch
8. ZDOC095

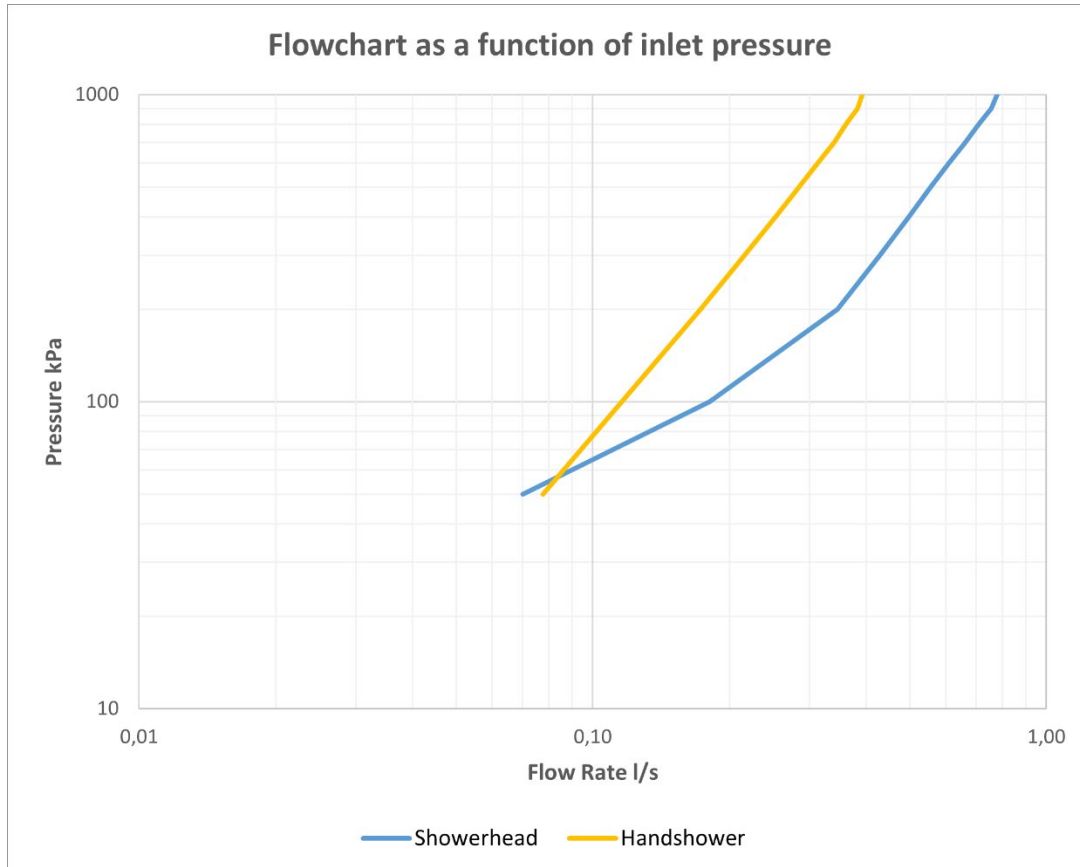


# Tapwell

## Flowcart

### FLOWCHART

ARM026-150



### DATA

Pressure (kPa)	Showerhead		Handshower	
	Flow lit/min	Flow lit/s	Flow lit/min	Flow lit/s
50	4,2	0,07	4,7	0,08
100	10,9	0,18	6,9	0,12
200	20,8	0,35	10,4	0,17
300	25,7	0,43	13,0	0,22
400	29,8	0,50	15,2	0,25
500	33,3	0,56	17,1	0,28
600	36,6	0,61	18,8	0,31
700	39,8	0,66	20,5	0,34
800	42,5	0,71	21,7	0,36
900	45,3	0,76	23,0	0,38
1000	46,7	0,78	23,6	0,39