

ARM375 Kitchen tap

ARM375 Chrome

Article Number

ARM375 Chrome - 9426356
ARM375 Matte Black - 9426354
ARM375 Brass - 9426353
ARM375 Copper - 9426357
ARM375 Bronze - 9426363
ARM375 Graphite - 9426359
ARM375 Black Chrome - 9426364
ARM375 Honey Gold - 9426358
ARM375 Brushed Black Chrome - 9426362
ARM375 Brushed Honey Gold - 9426361
ARM375 Brushed Nickel - 9426360

Kitchen faucet with turnable spout and pullout nozzle. The spout's turning radius can be limited to between 60 and 270 degrees at 15 degree intervals.

This kitchen tap offer exceptional functionality and boasts a sleek and modern design that will enhance the aesthetic of your kitchen. Crafted with high-quality materials, it ensures durability and longevity, providing you with a reliable and stylish fixture for years to come.



Cleaning

Wipe the surface with a soft cloth and lukewarm water and possibly with soap solution. Avoid alkaline, acid-liming or abrasive cleaners.

Brass is a material that over time gets a beautiful patina but can be polished with brass polish. Copper also gets patina but should not be polished. The other shiny surfaces retain their luster.

Decalcification

Aerators and shower handles should be regularly decalcified by placing them in a vinegar bath for a couple of hours. Should limescale stains occur, use eucalyptus oil and a soft cloth.

Lubrication

Lubricate only with silicone grease.

Maintenance

Visit our [YouTube channel](#) → where there are instructional videos for changing the ceramic cartridge, changing aerators and more.

Specifications

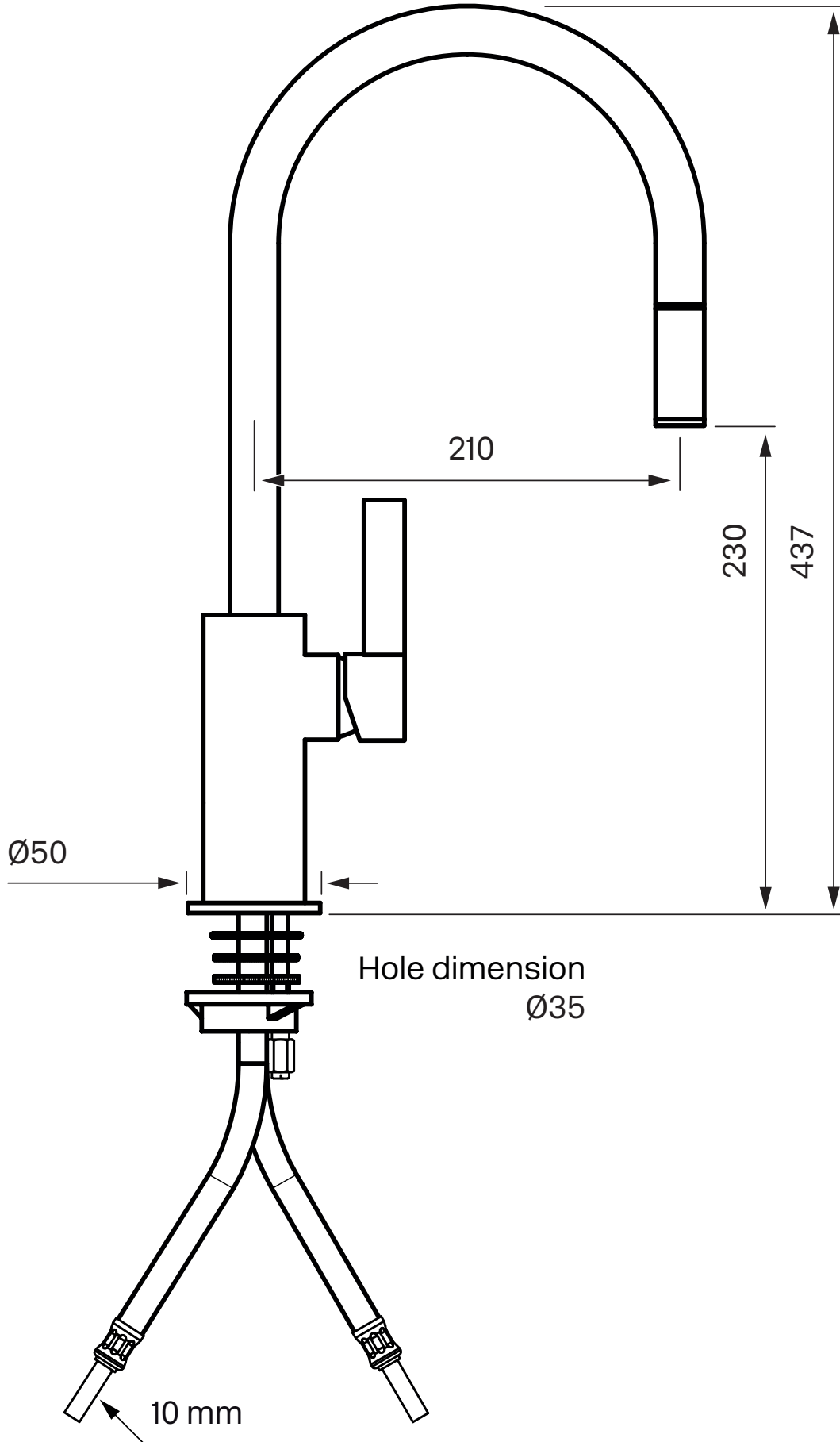
Number of outgoing connections - 1
Dimension inlet - 10 mm alt. 3/8"
Length protrusion outlet head - 210 mm
Machine shutdown - No
Lockable head - 60°, 90°, 120°, 150°, 180°, 210°, 240°, 270°
Turnable head - Yes

Dimensions/Weight

Package - Depth - 640 mm
Package - Width - 270 mm
Package - Height - 80 mm
Product - Width - 65 mm
Product - Depth - 247 mm
Product - Height - 439 mm

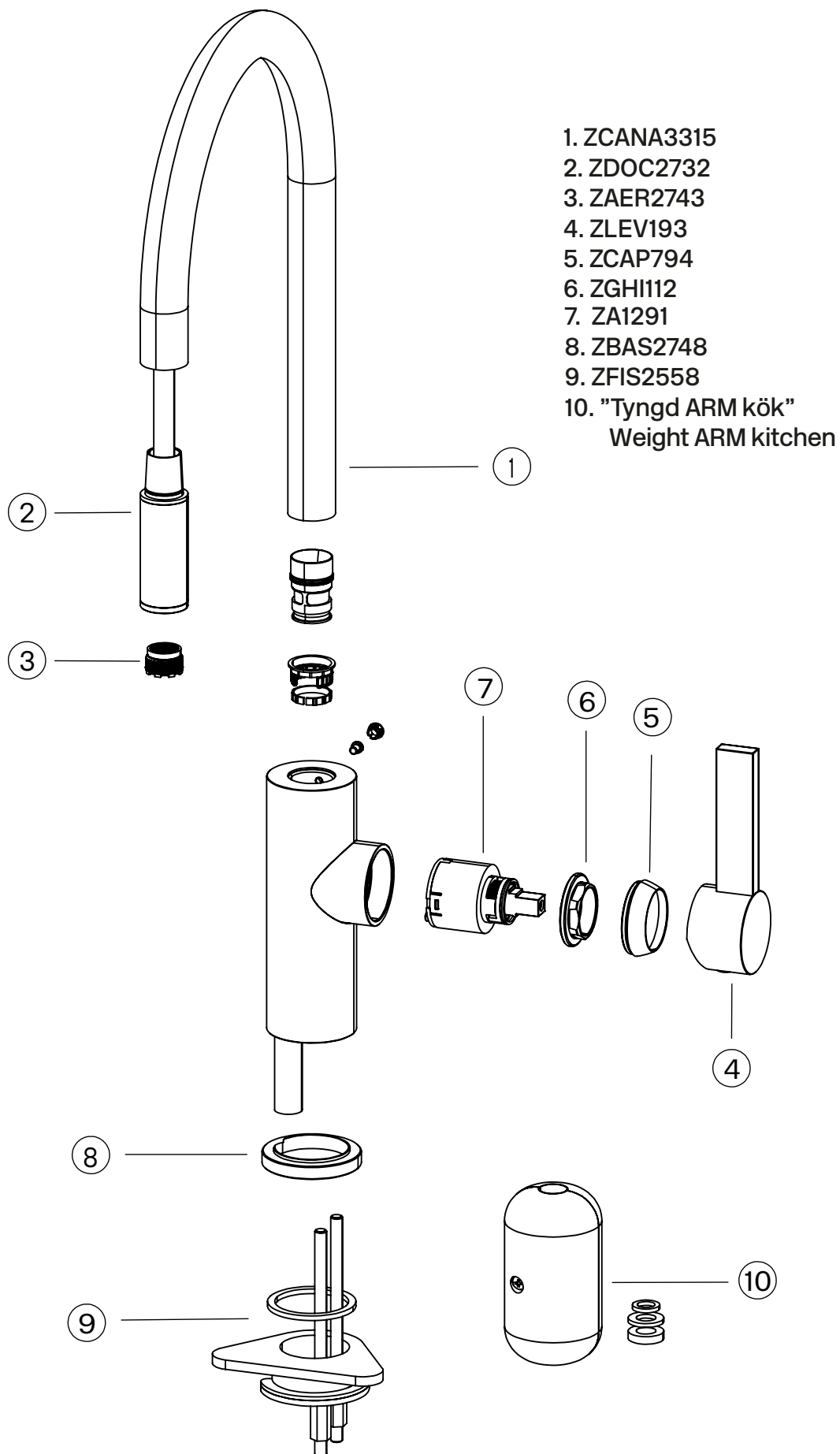
Tapwell

Drawing - PDF



Tapwell

Exploded View

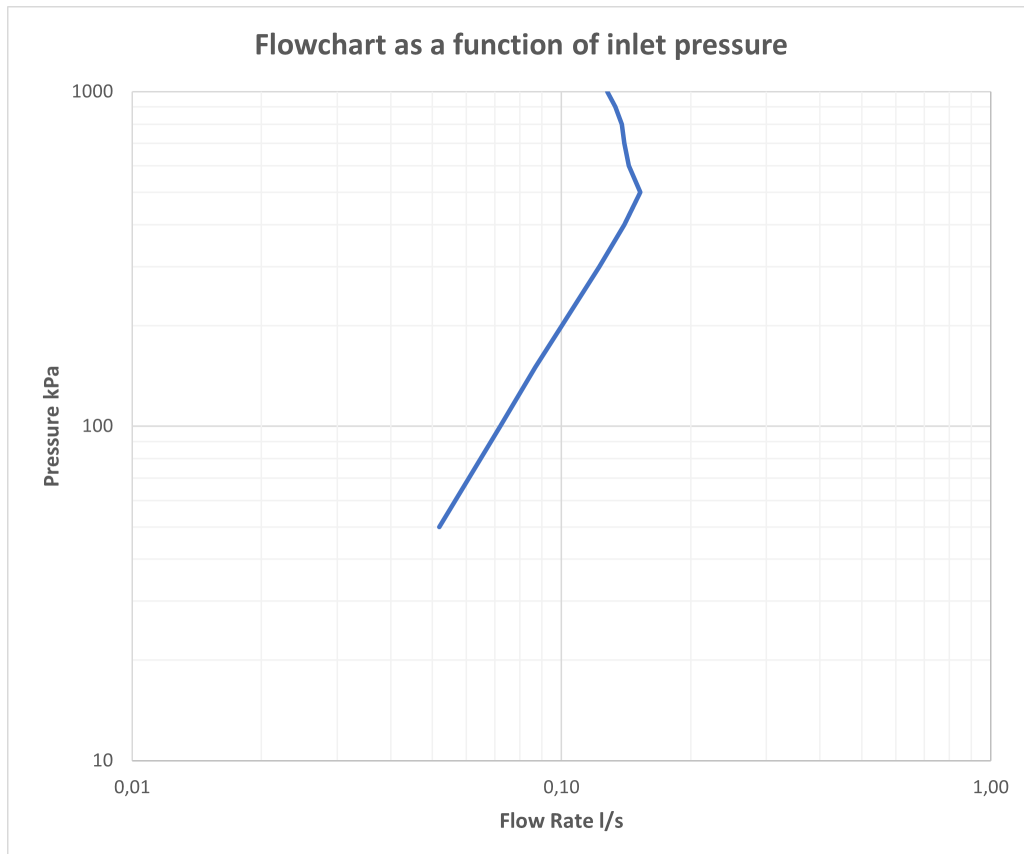


Tapwell

Pressure drop diagram

FLOWCHART

ARM375



DATA

Pressure (kPa)	Flow lit/min	Flow lit/s
50	3,1	0,05
100	4,3	0,07
150	5,2	0,09
200	6,0	0,10
300	7,4	0,12
400	8,4	0,14
500	9,2	0,15
600	8,6	0,14
700	8,4	0,14
800	8,3	0,14
900	8,0	0,13
1000	7,7	0,13