

Tapwell

ARM580 Kitchen tap

ARM580 Chrome

Article Number

ARM580 Chrome - 9426319
ARM580 Matte Black - 9426318
ARM580 Brass - 9426315
ARM580 Copper - 9426321
ARM580 Bronze - 9426333
ARM580 Graphite - 9426337
ARM580 Black Chrome - 9426335
ARM580 Honey Gold - 9426323
ARM580 Brushed Black Chrome - 9426331
ARM580 Brushed Honey Gold - 9426329
ARM580 Brushed Nickel - 9426327

Kitchen faucet with turnable spout. The spout's turning radius can be limited to between 60 and 270 degrees at 15 degree intervals.

This kitchen tap offer exceptional functionality and boasts a sleek and modern design that will enhance the aesthetic of your kitchen. Crafted with high-quality materials, it ensures durability and longevity, providing you with a reliable and stylish fixture for years to come.



Tapwell

Cleaning

Wipe the surface with a soft cloth and lukewarm water and possibly with soap solution. Avoid alkaline, acid-liming or abrasive cleaners.

Brass is a material that over time gets a beautiful patina but can be polished with brass polish. Copper also gets patina but should not be polished. The other shiny surfaces retain their luster.

Decalcification

Aerators and shower handles should be regularly decalcified by placing them in a vinegar bath for a couple of hours. Should limescale stains occur, use eucalyptus oil and a soft cloth.

Lubrication

Lubricate only with silicone grease.

Maintenance

Visit our [YouTube channel](#) → where there are instructional videos for changing the ceramic cartridge, changing aerators and more.

Specifications

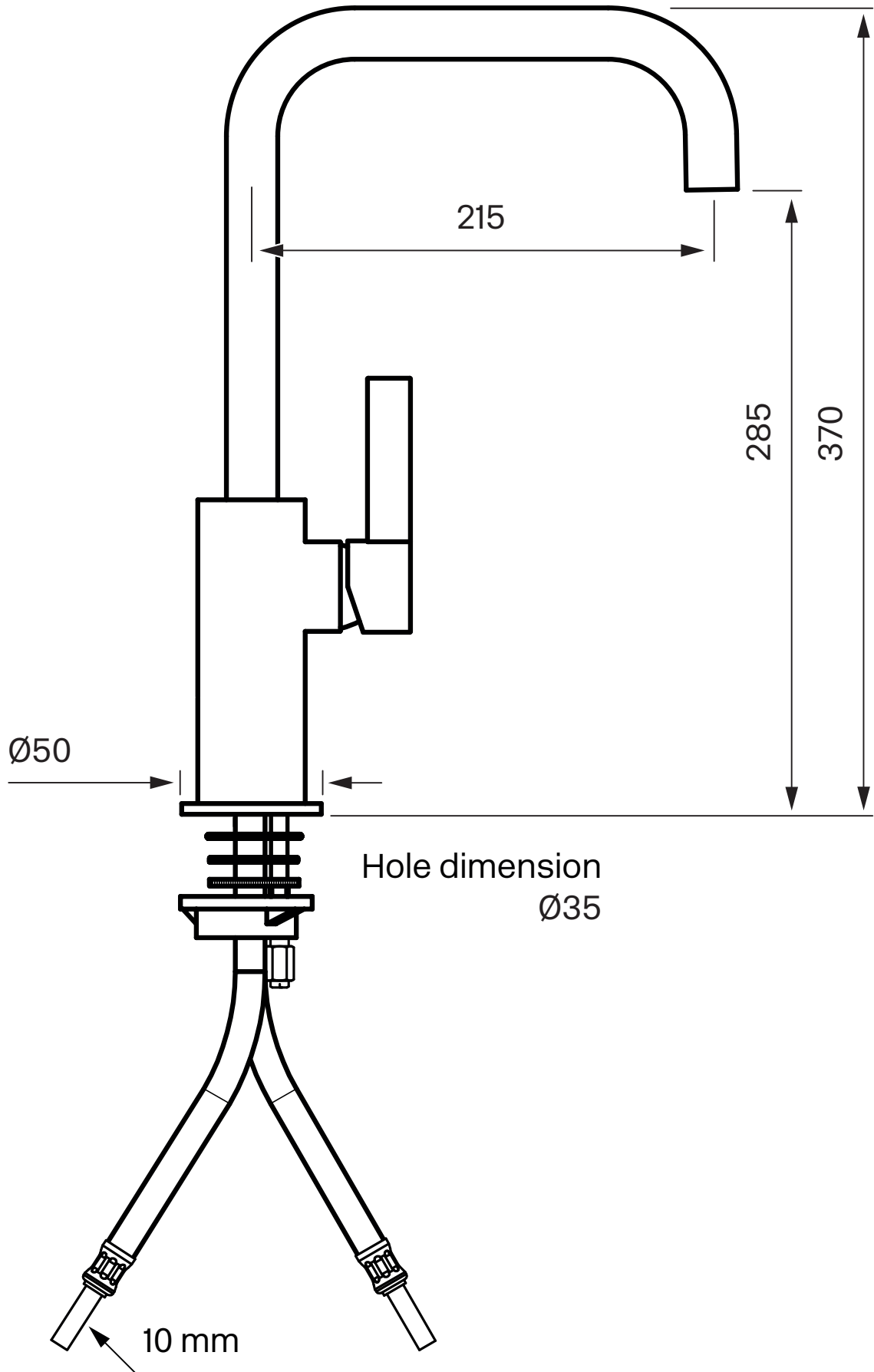
Number of outgoing connections: 1
Dimension inlet: 10 mm alt. 3/8"
Length protrusion outlet head: 215 mm
Machine shutdown: No
Lockable head: 60°, 90°, 120°, 150°, 180°, 210°, 240°, 270°
Turnable head: Yes

Dimensions/Weight

Package - Depth: 490 mm
Package - Width: 290 mm
Package - Height: 75 mm
Package - Weight: 3,00 kg
Product - Width: 65 mm
Product - Height: 370 mm

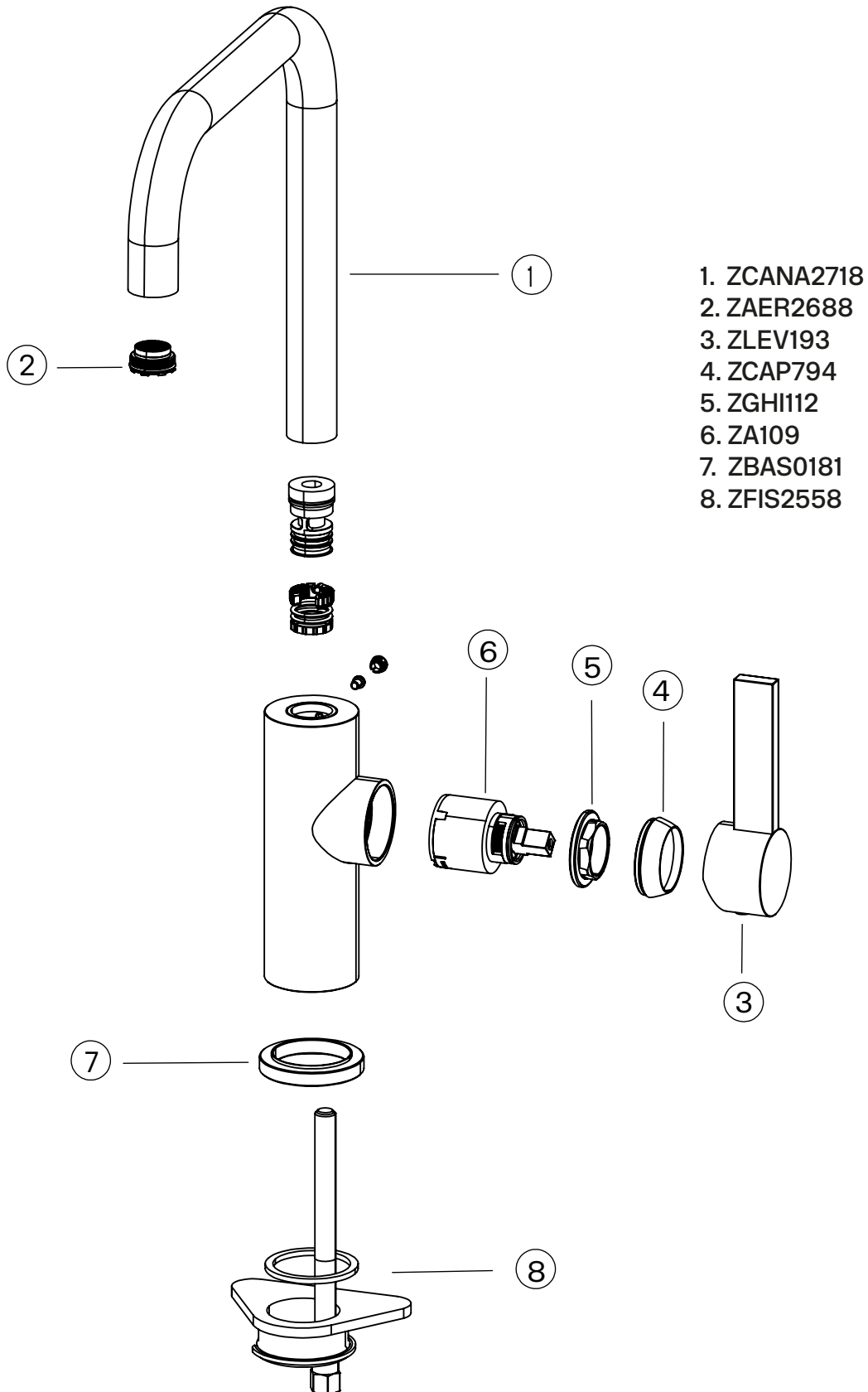
Tapwell

Drawing - PDF



Tapwell

Exploded View

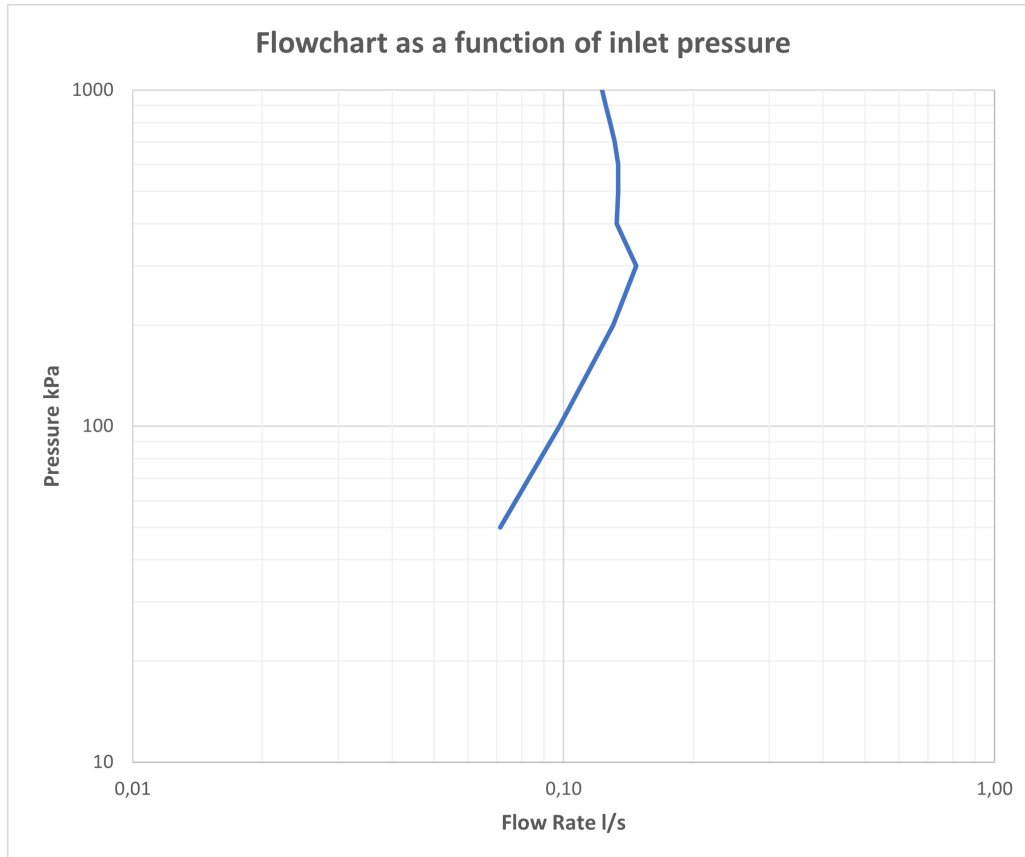


Tapwell

Flowcart

FLOWCHART

ARM580



DATA

Pressure (kPa)	Flow lit/min	Flow lit/s
50	4,3	0,07
100	5,9	0,10
150	6,9	0,12
200	7,8	0,13
300	8,8	0,15
400	8,0	0,13
500	8,0	0,13
600	8,0	0,13
700	7,9	0,13
800	7,7	0,13
900	7,5	0,13
1000	7,4	0,12