

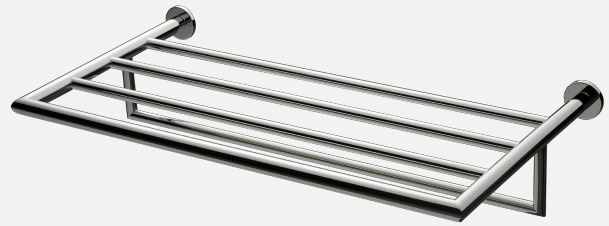
TA814 Accessory

TA814 Chrome

Article Number

TA814 Chrome - 9419153
TA814 Matte Black - 9420586
TA814 Polished Brass - 9419154
TA814 Copper - 9420092
TA814 Bronze - 9426181
TA814 Black Chrome - 9419159
TA814 Honey Gold - 9419158
TA814 Brushed Black Chrome - 9422842
TA814 Brushed Nickel - 9421135
TA814 Ascot Grey - 9422843

Towel rack.



Cleaning

Wipe the surface with a soft cloth and lukewarm water and possibly with soap solution. Avoid alkaline, acid-liming or abrasive cleaners.

Brass is a material that over time gets a beautiful patina but can be polished with brass polish. Copper also gets patina but should not be polished. The other shiny surfaces retain their luster.

Decalcification

Aerators and shower handles should be regularly decalcified by placing them in a vinegar bath for a couple of hours. Should limescale stains occur, use eucalyptus oil and a soft cloth.

Lubrication

Lubricate only with silicone grease.

Maintenance

Visit our [YouTube channel](#) → where there are instructional videos for changing the ceramic cartridge, changing aerators and more.

Dimensions/Weight

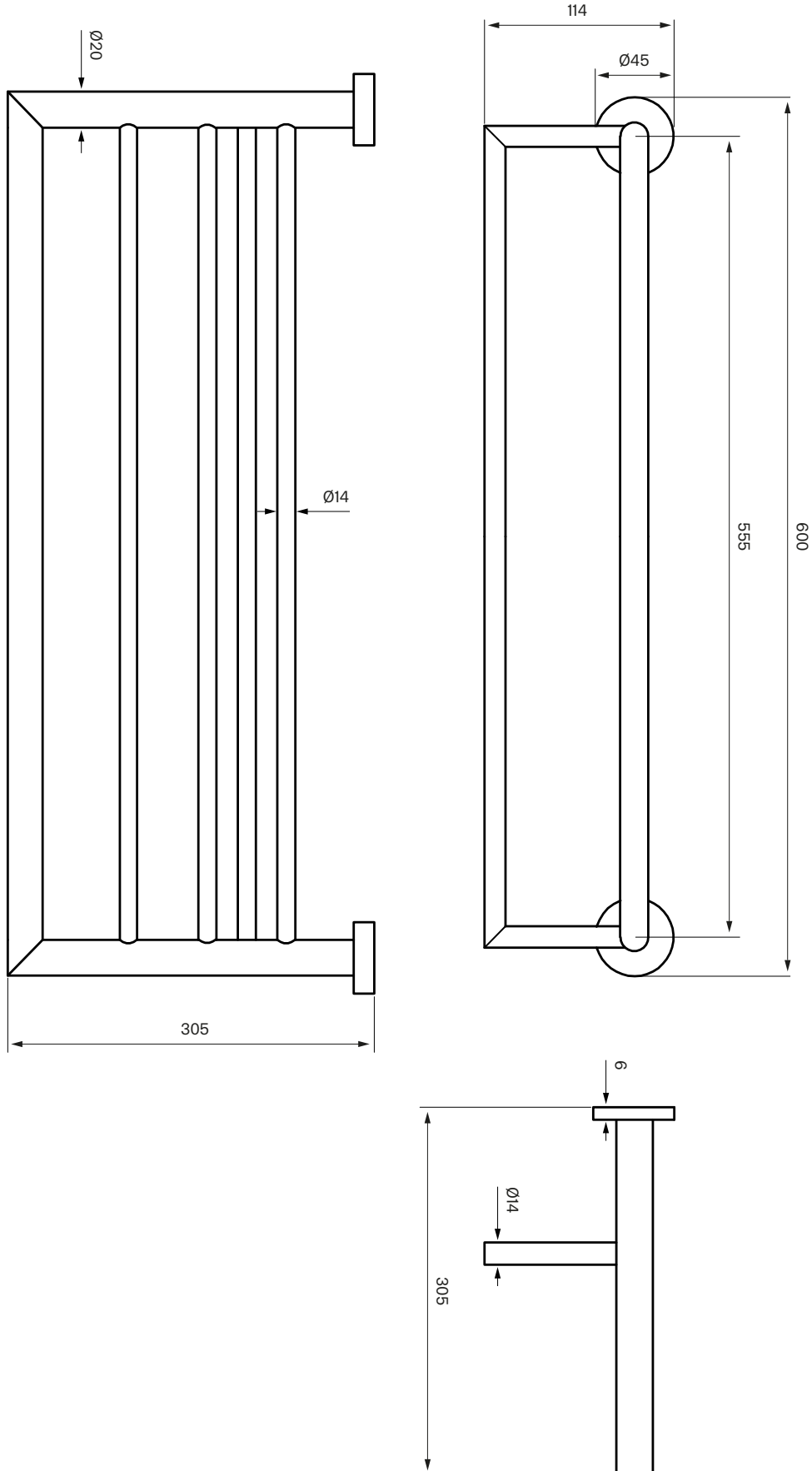
Product - Width - 600 mm

Product - Depth - 305 mm

Product - Height - 114 mm

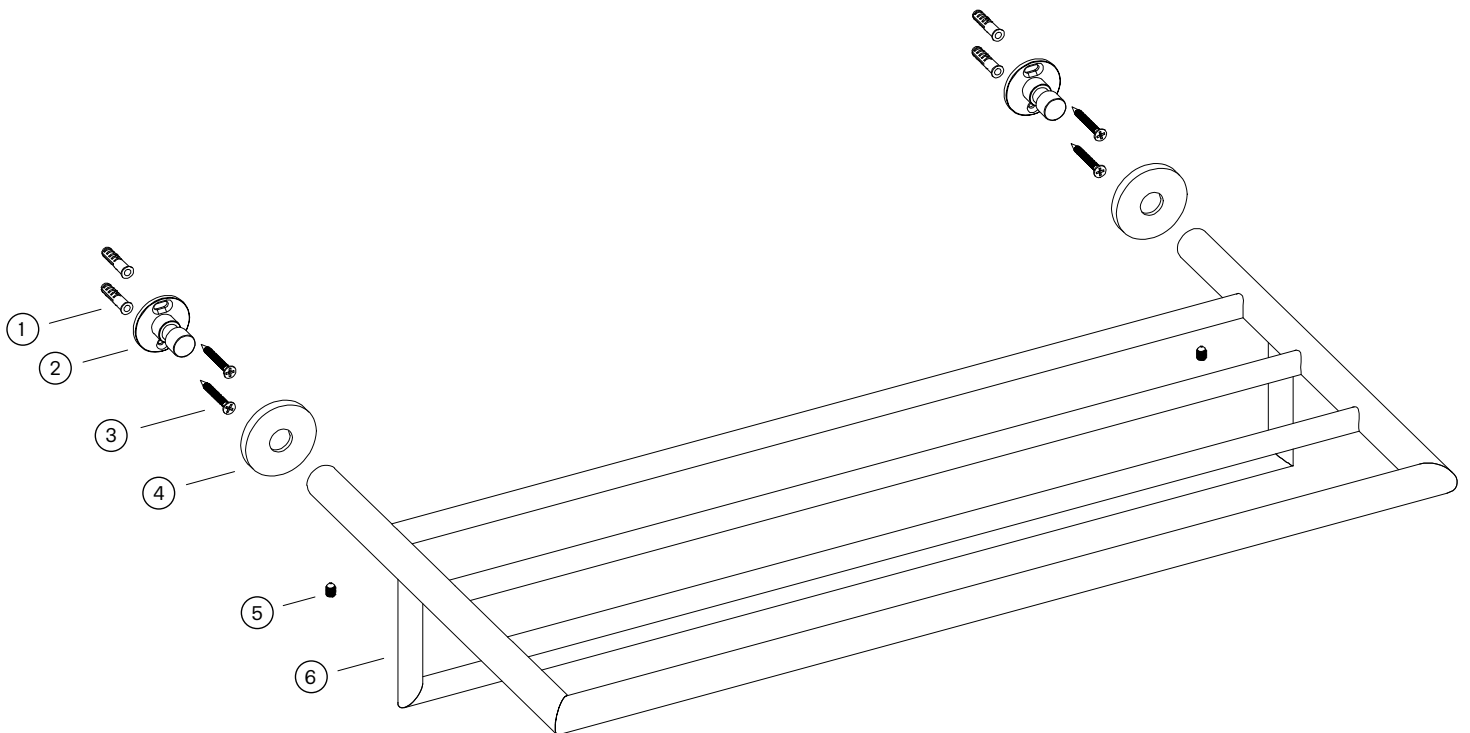
Tapwell

Drawing - PDF



Tapwell

Exploded View



1. Screw plugg $\text{Ø}6 \times 30 \text{ mm}$
2. Wall mount $\text{Ø}34,6 \times 29,5 \text{ mm}$
3. Screw M4 x 35 mm
4. Plate $\text{Ø}45 \times 6 \text{ mm}$
5. Allan screw M5 x 8 mm
6. Towel rack