

EVM072 Washbasin mixer

EVM072 Chrome

Article Number

EVM072 Chrome - 9424358
EVM072 Matte Black - 9424359
EVM072 Polished Brass - 9424360
EVM072 Copper - 9424361
EVM072 Bronze - 9426079
EVM072 Black Chrome - 9424362
EVM072 Honey Gold - 9424363
EVM072 Brushed Black Chrome - 9424364
EVM072 Brushed Nickel - 9424365

Basin faucet with beautiful shapes. Suitable for medium and small wash basins. To be combined with [pop up waste 74400](#). →

Our wash basin taps combines advanced technology, exquisite design, and top-notch performance to offer you the ultimate bathroom upgrade. With its sleek and modern appearance, it effortlessly enhances the visual appeal of your wash basin, becoming a focal point that exudes elegance and sophistication in a range of different finishes.



Cleaning

Wipe the surface with a soft cloth and lukewarm water and possibly with soap solution. Avoid alkaline, acid-liming or abrasive cleaners.

Brass is a material that over time gets a beautiful patina but can be polished with brass polish. Copper also gets patina but should not be polished. The other shiny surfaces retain their luster.

Decalcification

Aerators and shower handles should be regularly decalcified by placing them in a vinegar bath for a couple of hours. Should limescale stains occur, use eucalyptus oil and a soft cloth.

Lubrication

Lubricate only with silicone grease.

Maintenance

Visit our [YouTube channel](#) → where there are instructional videos for changing the ceramic cartridge, changing aerators and more.

Specifications

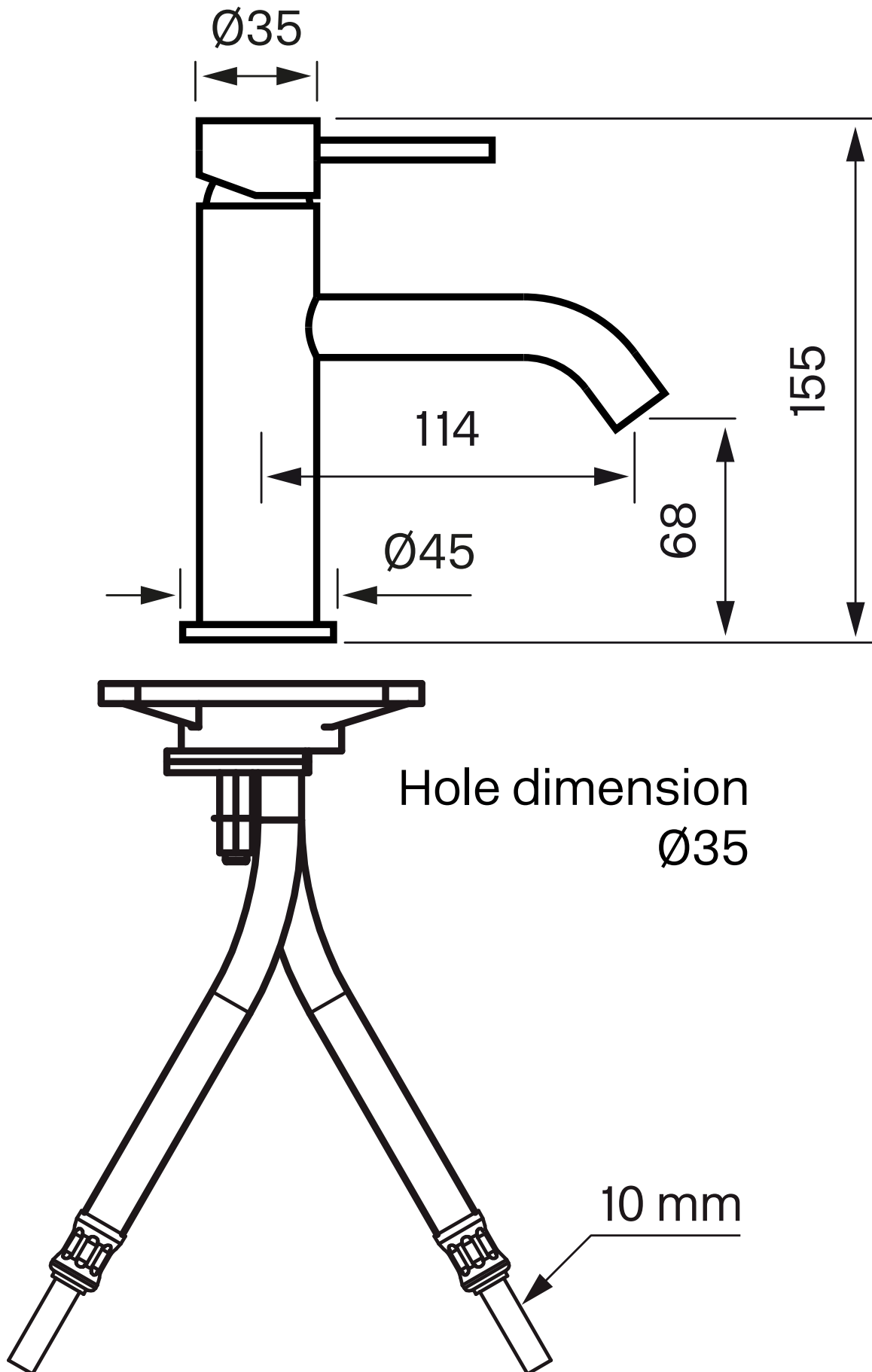
Connection inlet - Flexible hose with 3/8" nut
Number of grips - One grip
Number of outgoing connections - 1
Dimension inlet - 10 mm alt. 3/8"
Length protrusion outlet head - 114 mm

Dimensions/Weight

Package - Depth - 420 mm
Package - Width - 190 mm
Package - Height - 70 mm
Product - Width - 45 mm
Product - Height - 155 mm

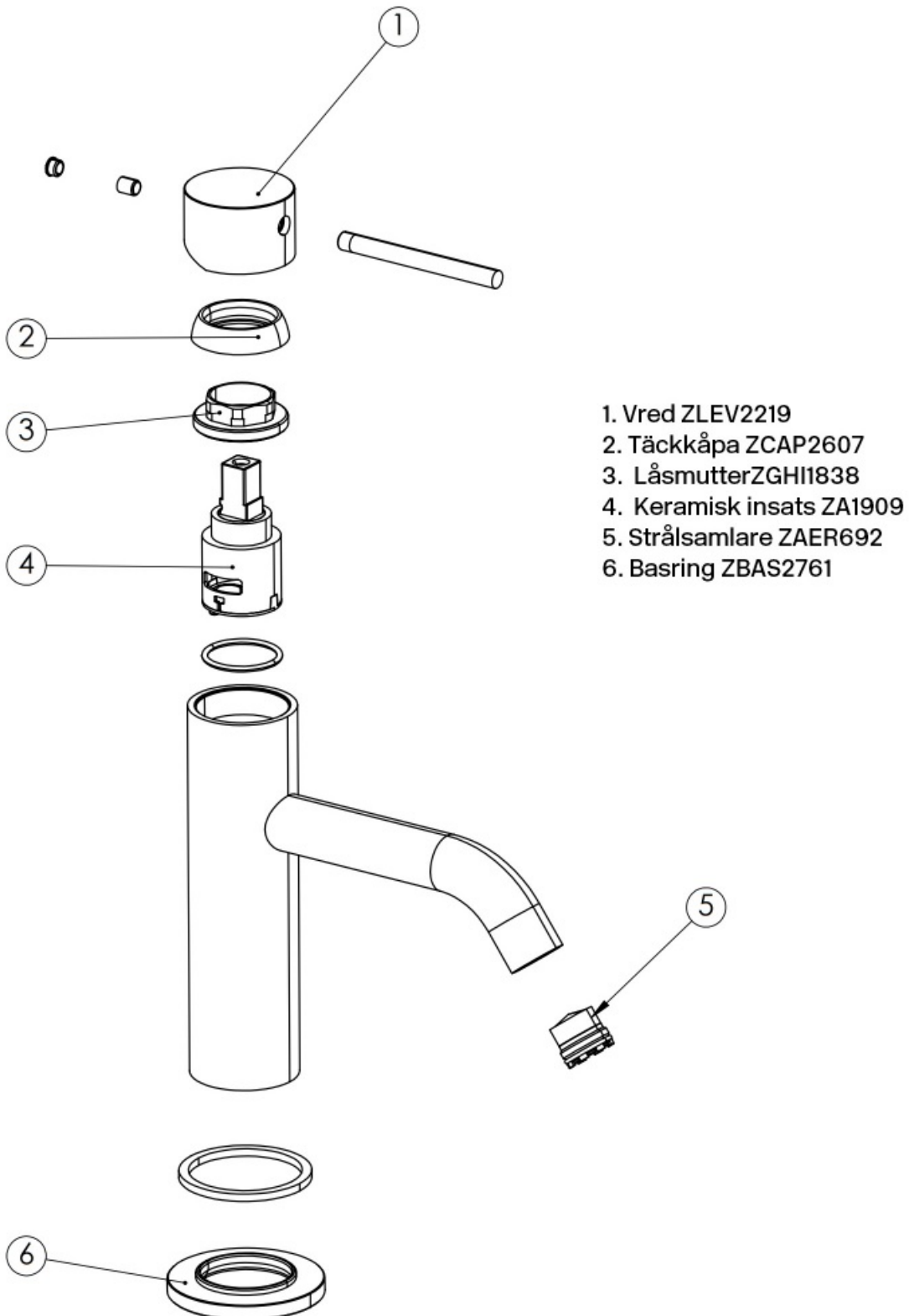
Tapwell

Drawing - PDF



Tapwell

Exploded View



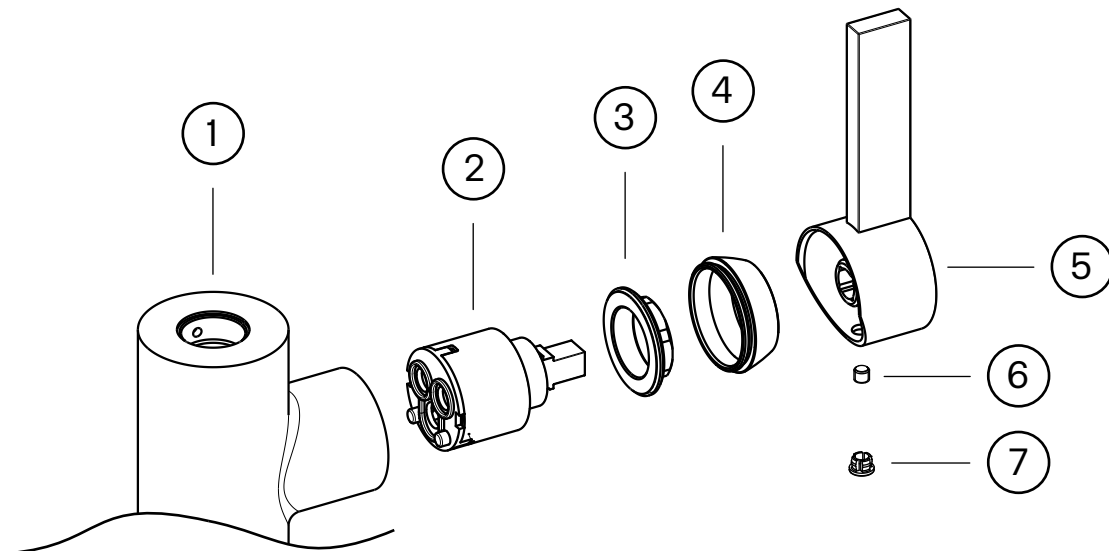
Tapwell

Replace ceramic insert

The ceramic disc needs to be replaced if the outlet spout or the water flow and temperature adjuster lever drip.

Article description:

1. Faucet body
2. Ceramic cartridge
3. Locking nut for the ceramic cartridge
4. Cover cap
5. Lever handle
6. Locking screw for the lever handle
7. Cover plug



Working order:

NOTE - the water to the main line must be turned off!

1. The water to the mixer (1) is turned off and the mixer opened to drain off the water.
2. Pry off the cover plug.
3. The locking screw (6) that holds the lever handle (5) is loosened about 1 turn using an Allen key (2,5 mm alt. 3 mm) and the lever handle is removed by hand.
4. The cover cap (4) is unscrewed by hand.
5. The locking nut (3) for the ceramic cartridge (2) is unscrewed with a fixed wrench.
6. The ceramic cartridge (5) is pulled out by hand and the cartridge seating in the mixer housing is then carefully cleaned of any particles and limescale. Rinse the mixer.
7. Put the new cartridge in place. During assembly, the cartridge must be turned to the position where the guide pins in the bottom are secured in the corresponding outlets in the bottom of the mixer housing.
8. Reassemble in the reverse order.

Tapwell

Pressure drop diagram

Pressure Drop

