

Tapwell

EVM071 Washbasin mixer

EVM071 Chrome

Article Number

EVM071 Chrome - 4230082
EVM071 Matte Black - 9424179
EVM071 Polished Brass - 4229908
EVM071 Copper - 4230607
EVM071 Bronze - 9424353
EVM071 Black Chrome - 4230631
EVM071 Honey Gold - 4230627
EVM071 Brushed Black Chrome - 9424354
EVM071 Brushed Nickel - 9424178

Basin faucet with beautiful shapes. Suitable for medium and small wash basins. To be combined with [pop up waste 74400](#). →



Our wash basin taps combines advanced technology, exquisite design, and top-notch performance to offer you the ultimate bathroom upgrade. With its sleek and modern appearance, it effortlessly enhances the visual appeal of your wash basin, becoming a focal point that exudes elegance and sophistication in a range of different finishes.

Tapwell

Cleaning

Wipe the surface with a soft cloth and lukewarm water and possibly with soap solution. Avoid alkaline, acid-liming or abrasive cleaners.

Brass is a material that over time gets a beautiful patina but can be polished with brass polish. Copper also gets patina but should not be polished. The other shiny surfaces retain their luster.

Decalcification

Aerators and shower handles should be regularly decalcified by placing them in a vinegar bath for a couple of hours. Should limescale stains occur, use eucalyptus oil and a soft cloth.

Lubrication

Lubricate only with silicone grease.

Maintenance

Visit our [YouTube channel](#) → where there are instructional videos for changing the ceramic cartridge, changing aerators and more.

Specifications

Connection inlet: Flexible hose with 3/8" nut

Number of grips: One grip

Number of outgoing connections: 1

Dimension inlet: 10 mm alt. 3/8"

Flow class: S

Length protrusion outlet head: 108 mm

Max flow: 0,27

Classification energy: B

Dimensions/Weight

Package - Depth: 340 mm

Package - Width: 320 mm

Package - Height: 90 mm

Package - Weight: 1,50 kg

Package - Volume: 0,01 m³

Building height underneath outlet: 70 mm

Product - Width: 45 mm

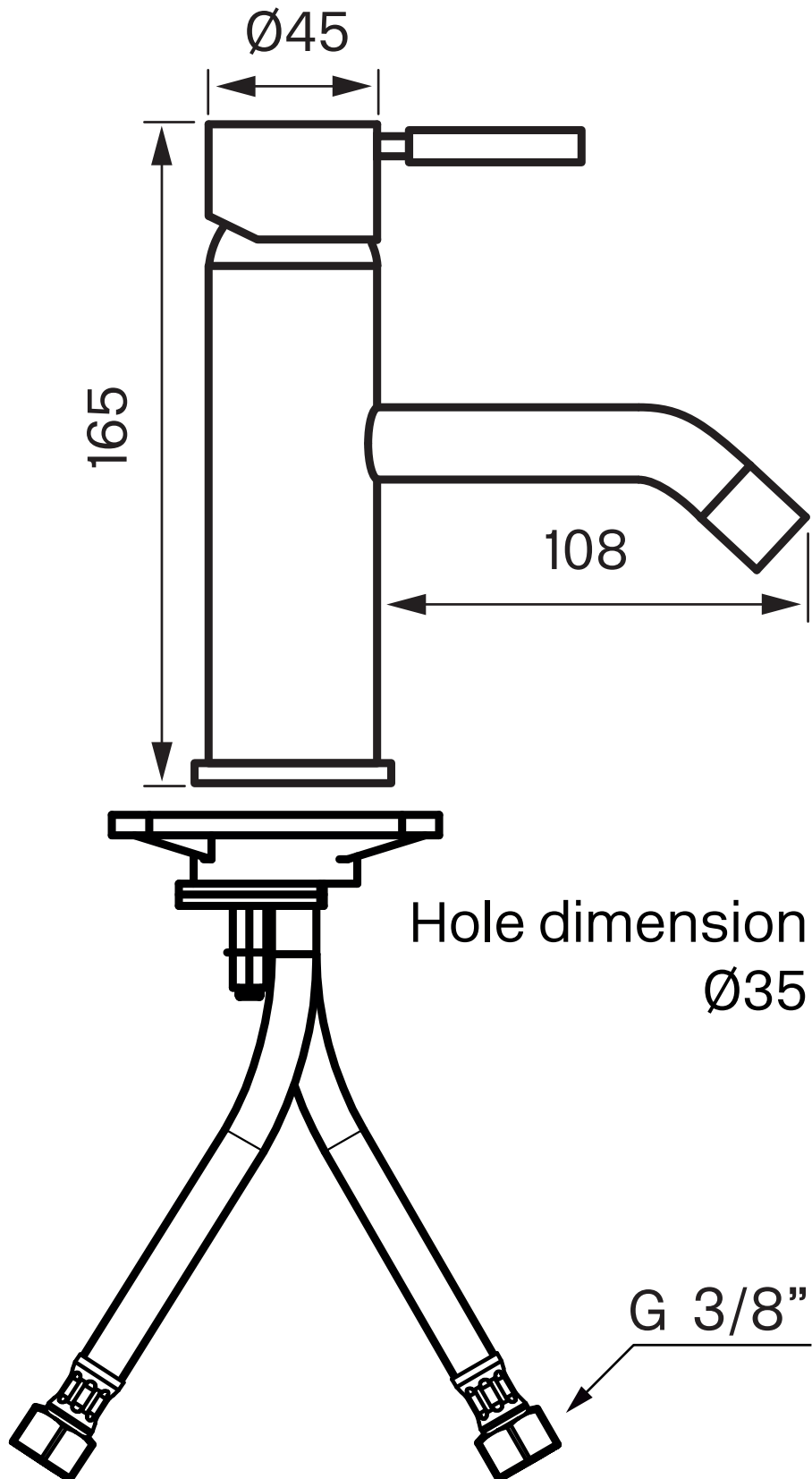
Product - Depth: 153 mm

Product - Height: 165 mm

Total building height: 165 mm

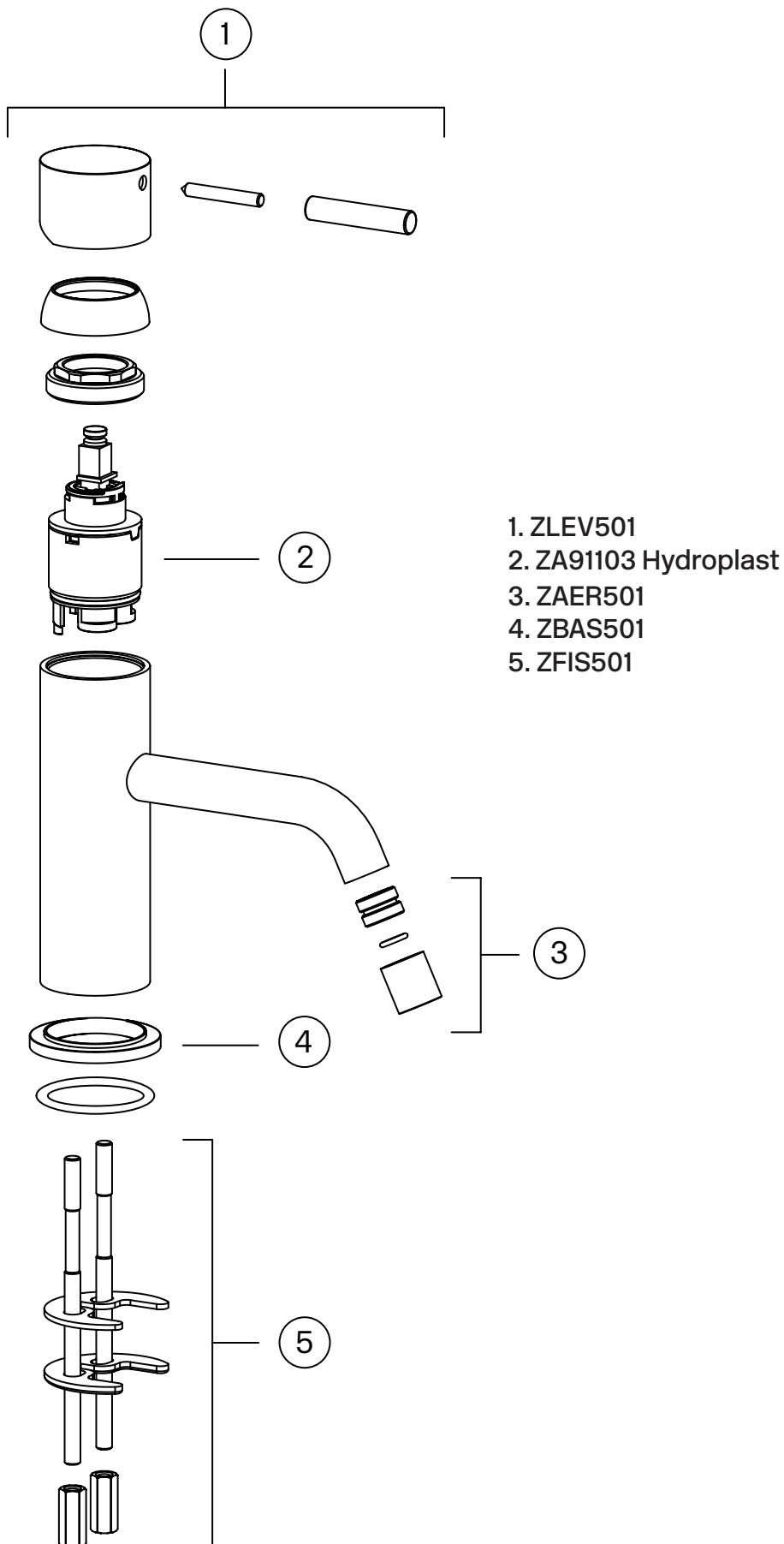
Tapwell

Drawing - PDF



Tapwell

Exploded View

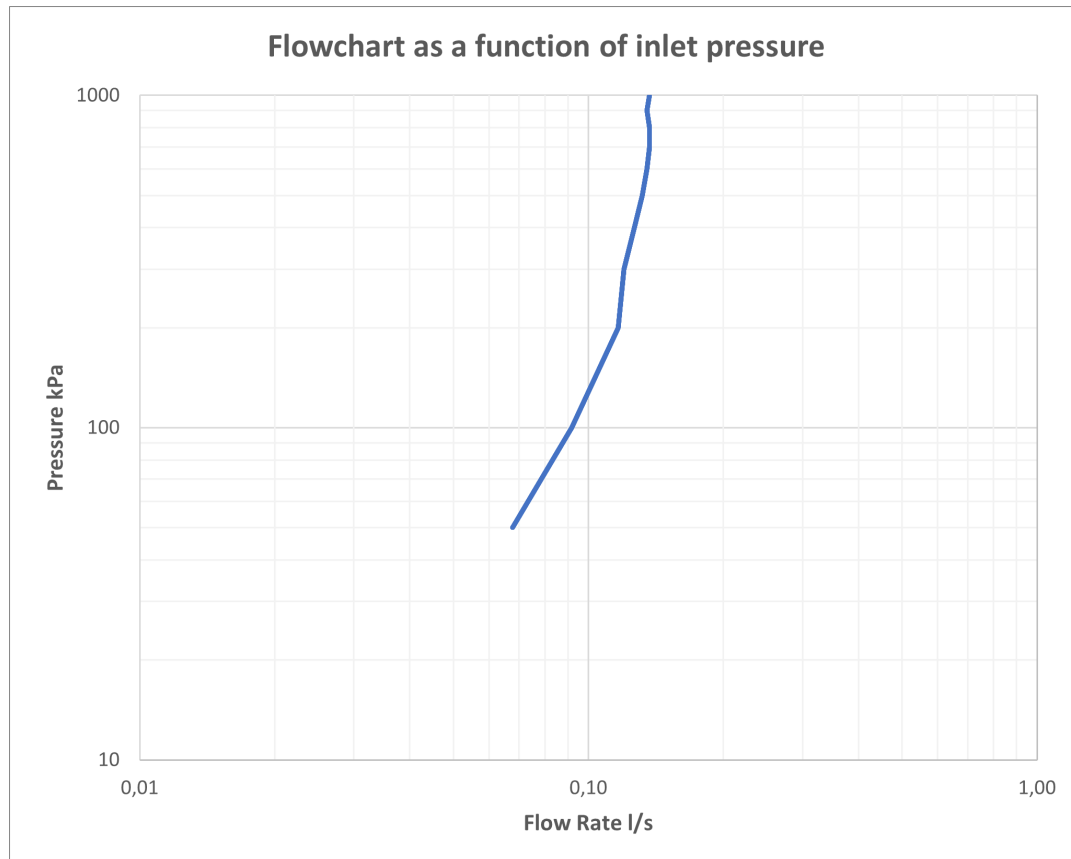


Tapwell

Flowcart

FLOWCHART

EVM071



DATA

Pressure (kPa)	Flow lit/min	Flow lit/s
50	4,1	0,07
100	5,5	0,09
200	7,0	0,12
300	7,2	0,12
400	7,6	0,13
500	7,9	0,13
600	8,1	0,14
700	8,2	0,14
800	8,2	0,14
900	8,1	0,14
1000	8,2	0,14