

Tapwell

ARM985 Svart Kitchen Tap

ARM985 Chrome/Black

Article Number

ARM985 Chrome/Black - 9423644

Kitchen faucet with turnable spout and pullout nozzle. The spout's turning radius can be limited to between 60 and 270 degrees at 15 degree intervals.



Tapwell

Cleaning

Wipe the surface with a soft cloth and lukewarm water and possibly with soap solution. Avoid alkaline, acid-liming or abrasive cleaners.

Brass is a material that over time gets a beautiful patina but can be polished with brass polish. Copper also gets patina but should not be polished. The other shiny surfaces retain their luster.

Decalcification

Aerators and shower handles should be regularly decalcified by placing them in a vinegar bath for a couple of hours. Should limescale stains occur, use eucalyptus oil and a soft cloth.

Lubrication

Lubricate only with silicone grease.

Maintenance

Visit our [YouTube channel](#) → where there are instructional videos for changing the ceramic cartridge, changing aerators and more.

Specifications

Connection inlet: Flexible hose with 3/8" nut
Number of grips: One grip
Number of outgoing connections: 1
Dimension inlet: 10 mm alt. 3/8"
Length protrusion outlet head: 221 mm
Machine shutdown: Yes
Lockable head: 60°, 90°, 120°, 150°, 180°, 210°, 240°, 270°
Turnable head: Yes

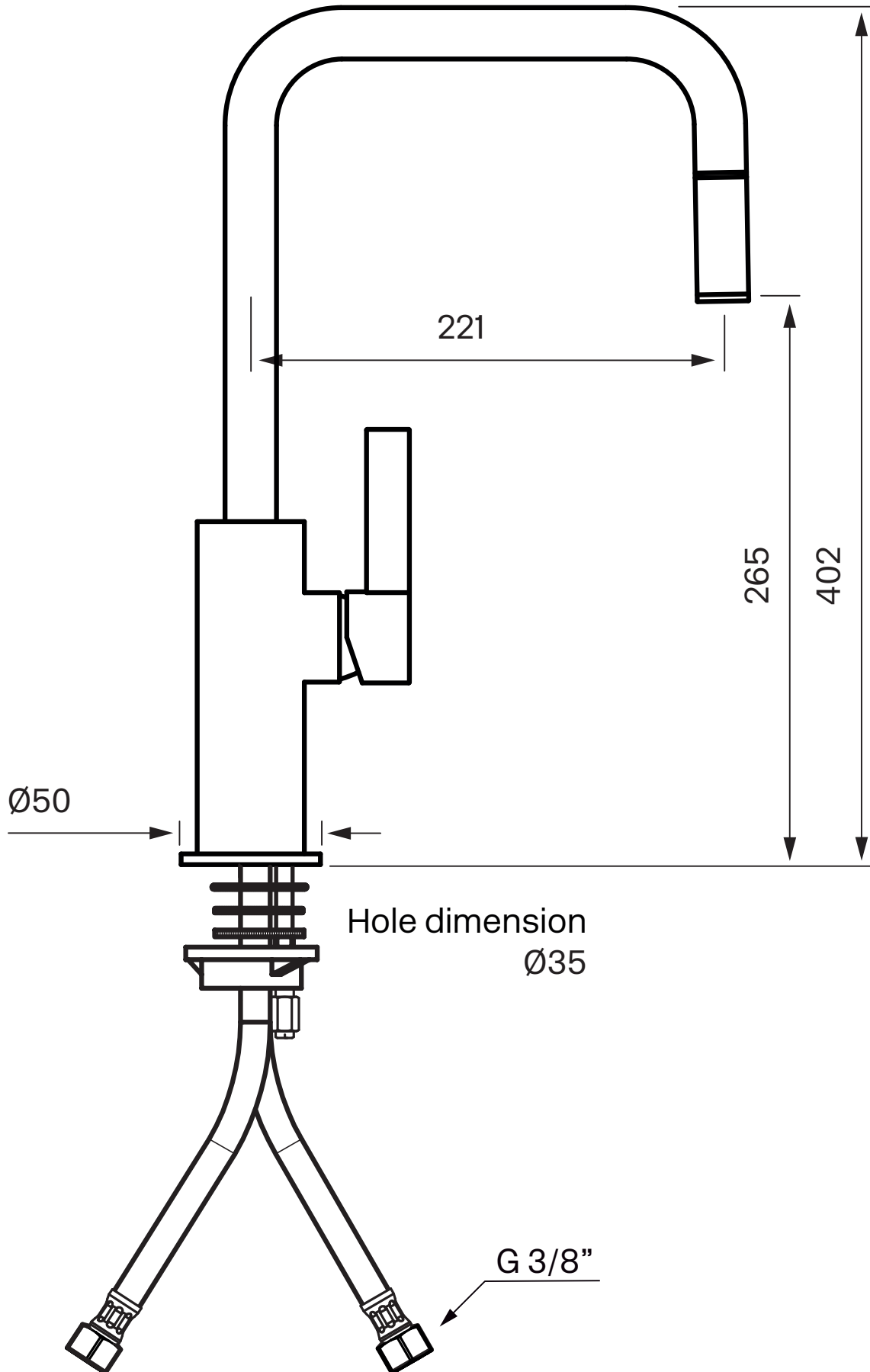
Classification energy: B

Dimensions/Weight

Package - Depth: 635 mm
Package - Width: 270 mm
Package - Height: 75 mm
Package - Weight: 3,40 kg
Package - Volume: 0,01 m³
Building height underneath outlet: 265 mm
Product - Width: 65 mm
Product - Depth: 266 mm
Product - Height: 402 mm
Total building height: 402 mm

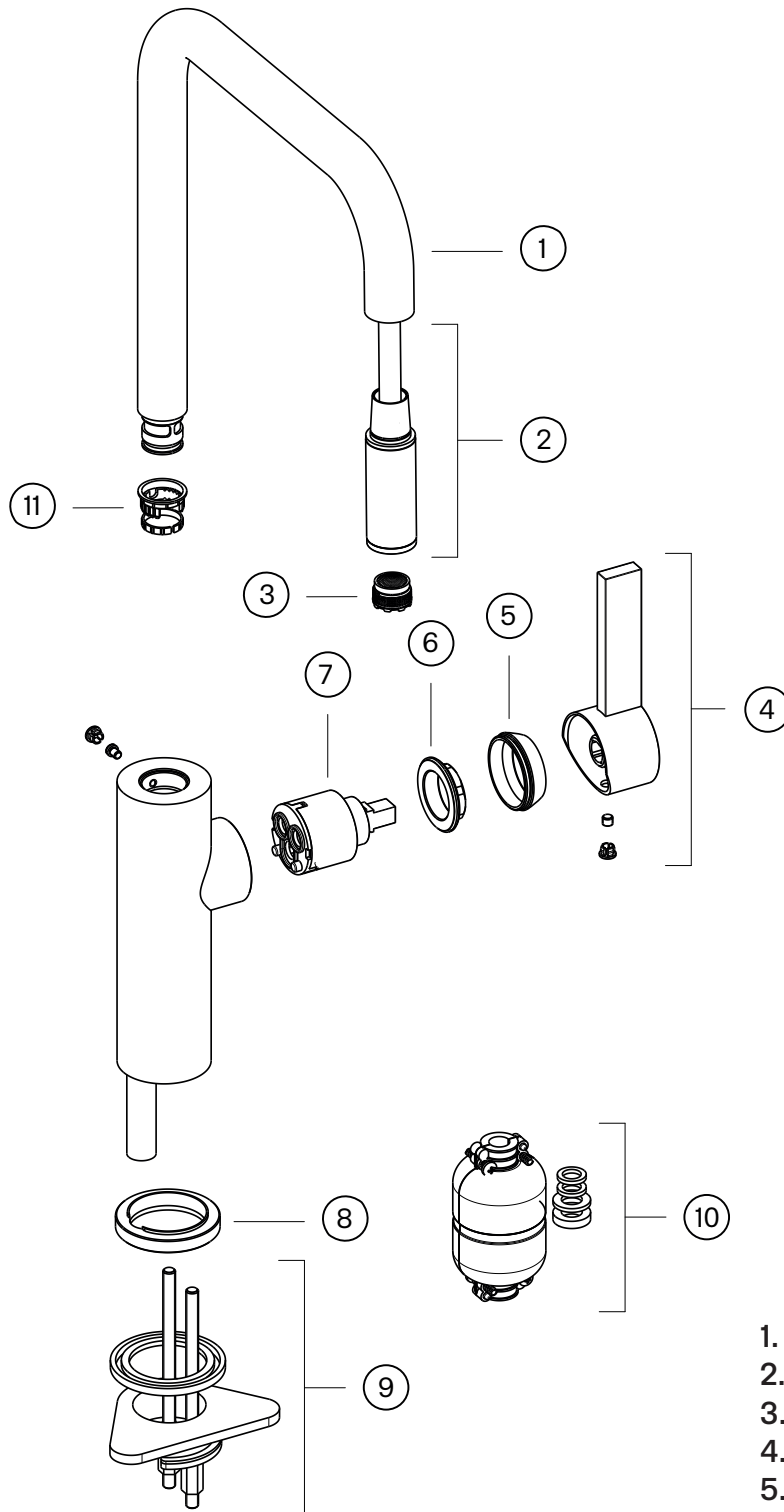
Tapwell

Drawing - PDF



Tapwell

Exploded View



1. ZCANA2742
2. ZDOC2732
3. ZAER2743
4. ZLEV193/Black
5. ZCAP794
6. ZGHI112
7. ZA1291
8. ZBAS2748
9. ZFIS2558
10. "Tyngd ARM kök"
Weight ARM kitchen
11. "O-ringset ARM kök med handdusch"
O-ring set ARM kitchen with
hand shower

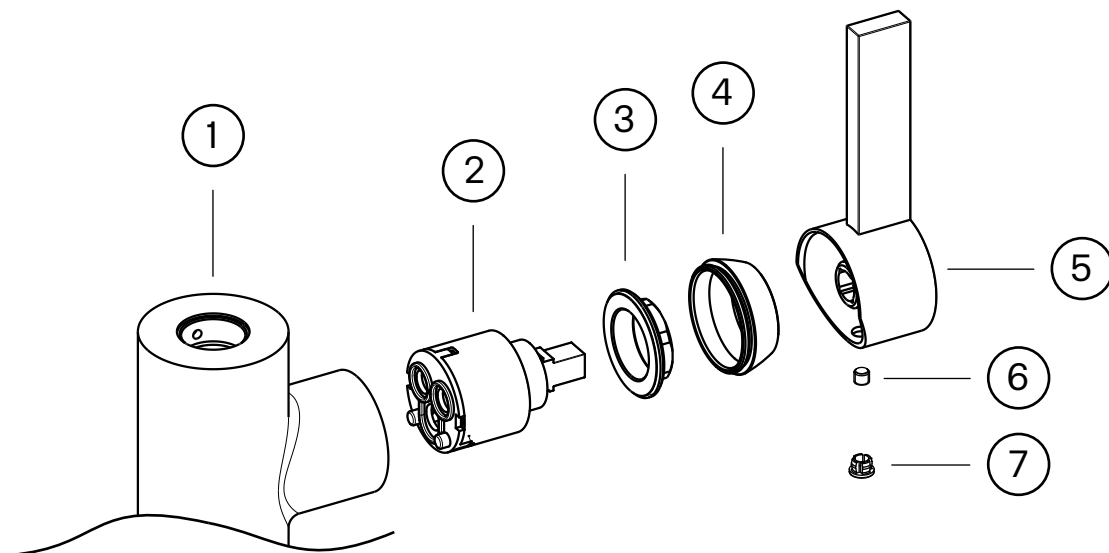
Tapwell

Replace ceramic insert

The ceramic disc needs to be replaced if the outlet spout or the water flow and temperature adjuster lever drip.

Article description:

1. Faucet body
2. Ceramic cartridge
3. Locking nut for the ceramic cartridge
4. Cover cap
5. Lever handle
6. Locking screw for the lever handle
7. Cover plug



Working order:

NOTE - the water to the main line must be turned off!

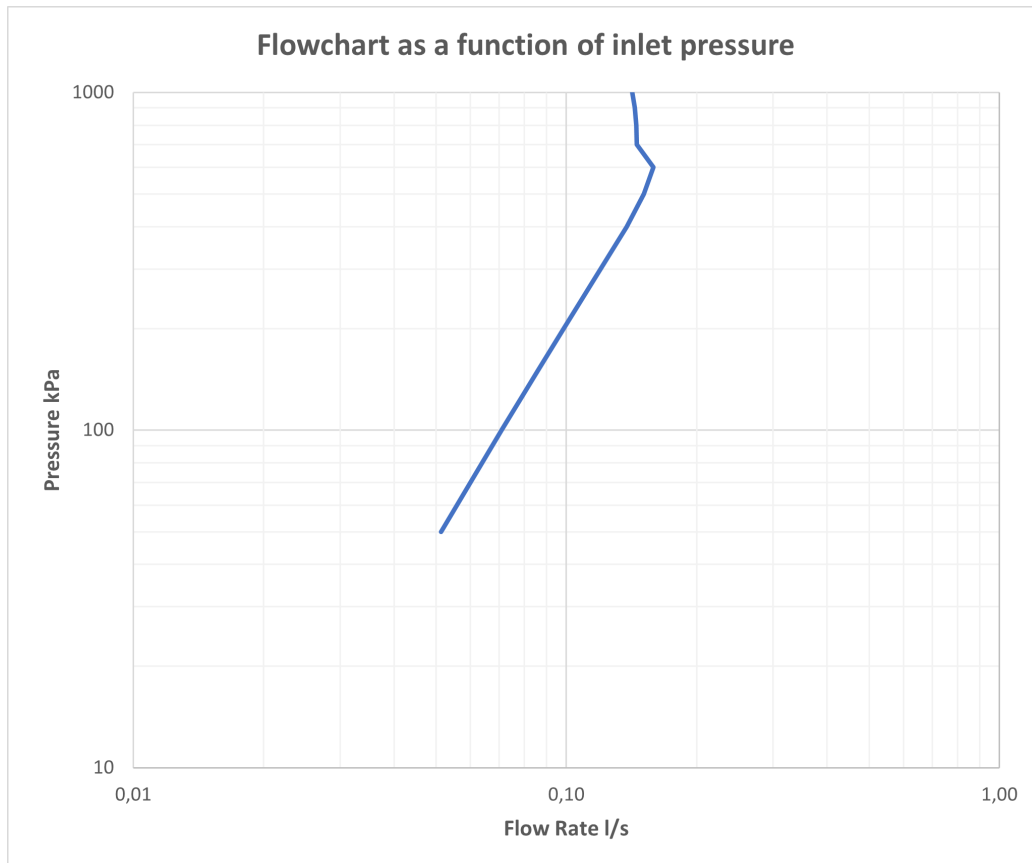
1. The water to the mixer (1) is turned off and the mixer opened to drain off the water.
2. Pry off the cover plug.
3. The locking screw (6) that holds the lever handle (5) is loosened about 1 turn using an Allen key (2,5 mm alt. 3 mm) and the lever handle is removed by hand.
4. The cover cap (4) is unscrewed by hand.
5. The locking nut (3) for the ceramic cartridge (2) is unscrewed with a fixed wrench.
6. The ceramic cartridge (5) is pulled out by hand and the cartridge seating in the mixer housing is then carefully cleaned of any particles and limescale. Rinse the mixer.
7. Put the new cartridge in place. During assembly, the cartridge must be turned to the position where the guide pins in the bottom are secured in the corresponding outlets in the bottom of the mixer housing.
8. Reassemble in the reverse order.

Tapwell

Flowcart

FLOWCHART

ARM985



DATA

Pressure (kPa)	Flow lit/min	Flow lit/s
50	3,1	0,05
100	4,3	0,07
150	5,2	0,09
200	5,9	0,10
300	7,2	0,12
400	8,3	0,14
500	9,1	0,15
600	9,5	0,16
700	8,7	0,15
800	8,7	0,14
900	8,6	0,14
1000	8,5	0,14