

# Tapwell

## ARM7200-150 Shower column

---

ARM7200 Chrome

---

### Article Number

ARM7200 Chrome - 9423034  
ARM7200 Matte Black - 9423035  
ARM7200 Polished Brass - 9423036  
ARM7200 Copper - 9423033  
ARM7200 Bronze - 9426150  
ARM7200 Black Chrome - 9423029  
ARM7200 Honey Gold - 9423032  
ARM7200 Brushed Black Chrome - 9423030  
ARM7200 Brushed Nickel - 9423031

---

Shower system with pressure balanced thermostatic mixer, diverter in handle.



# Tapwell

---

## Cleaning

Wipe the surface with a soft cloth and lukewarm water and possibly with soap solution. Avoid alkaline, acid-liming or abrasive cleaners.

Brass is a material that over time gets a beautiful patina but can be polished with brass polish. Copper also gets patina but should not be polished. The other shiny surfaces retain their luster.

## Decalcification

Aerators and shower handles should be regularly decalcified by placing them in a vinegar bath for a couple of hours. Should limescale stains occur, use eucalyptus oil and a soft cloth.

## Lubrication

Lubricate only with silicone grease.

## Maintenance

Visit our [YouTube channel](#) → where there are instructional videos for changing the ceramic cartridge, changing aerators and more.

---

## Specifications

**Connection inlet:** Internal thread

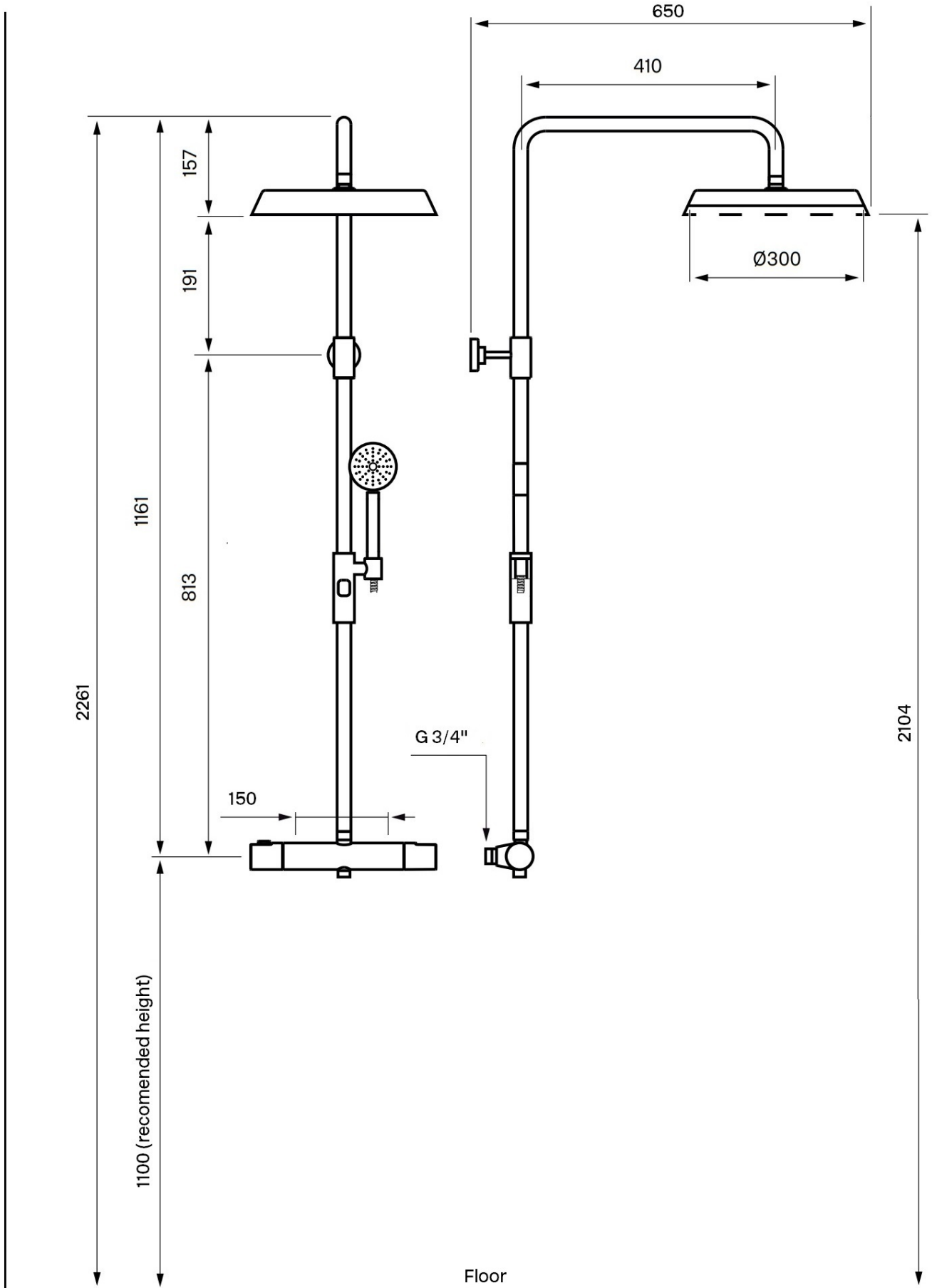
**Number of grips:** One grip

## Dimensions/Weight

**Adjustable height:** No

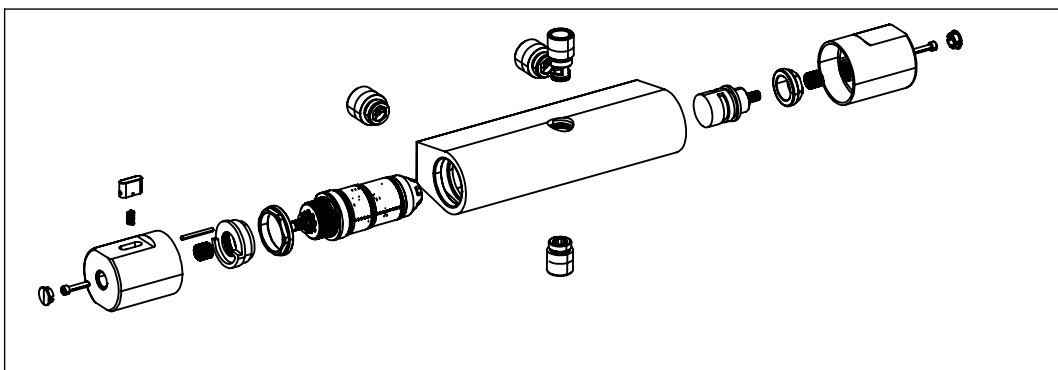
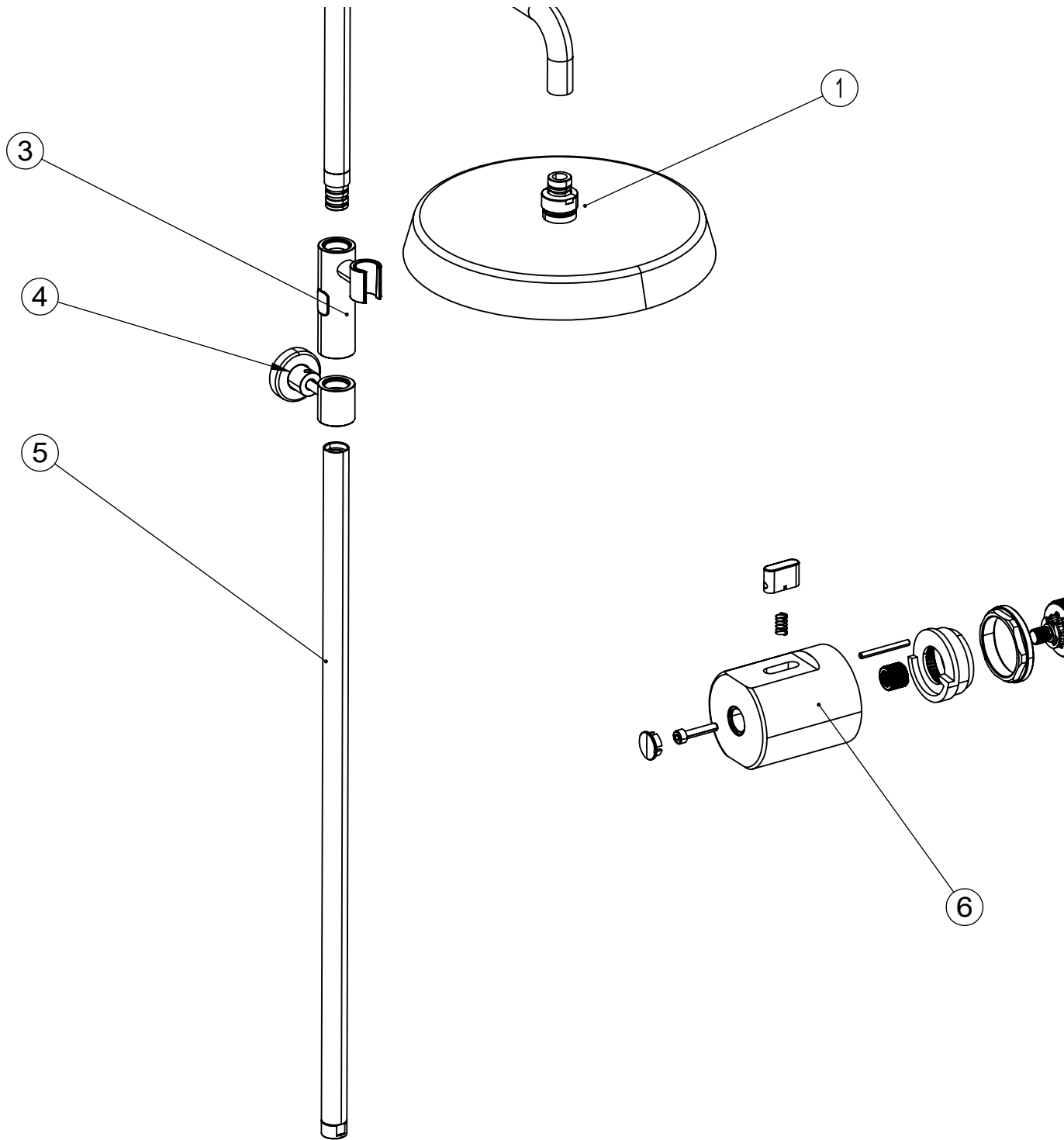
# Tapwell

## Drawing - PDF



# Tapwell

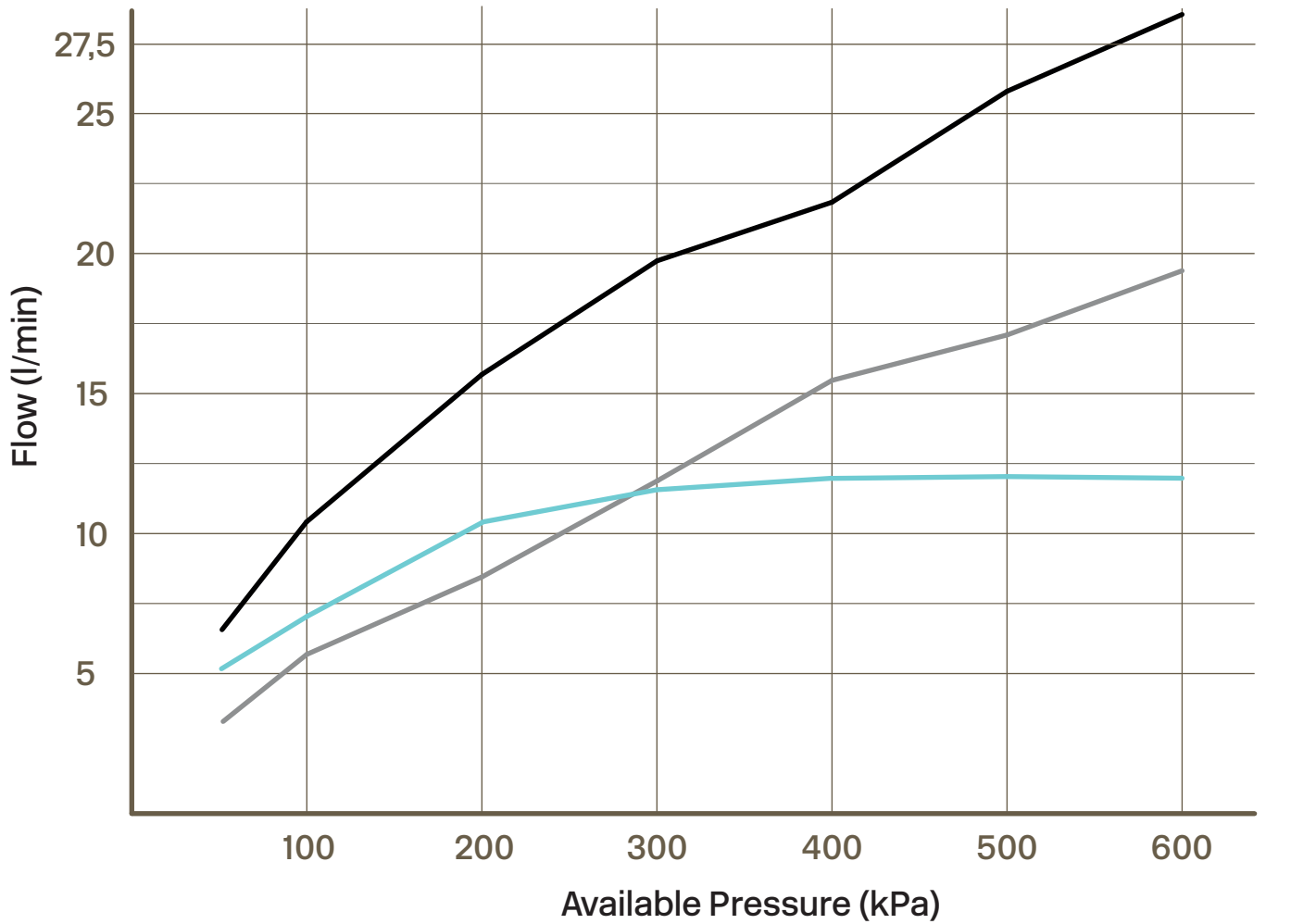
## Exploded View



A

# Tapwell

## Flowcart



- = Showerhead
- = Handshower
- = Without showerhead and handshower