

## TA816 Accessory

---

TA816 Chrome

---

### Article Number

TA816 Chrome - 9419192  
TA816 Matte Black - 9420715  
TA816 Polished Brass - 9419193  
TA816 Copper - 9420093  
TA816 Bronze - 9426182  
TA816 Black Chrome - 9419198  
TA816 Honey Gold - 9419197  
TA816 Brushed Black Chrome - 9422844  
TA816 Brushed Nickel - 9421175  
TA816 Ascot Grey - 9422845

---

Vanity mirror, adjustable in height.



## **Cleaning**

Wipe the surface with a soft cloth and lukewarm water and possibly with soap solution. Avoid alkaline, acid-liming or abrasive cleaners.

Brass is a material that over time gets a beautiful patina but can be polished with brass polish. Copper also gets patina but should not be polished. The other shiny surfaces retain their luster.

## **Decalcification**

Aerators and shower handles should be regularly decalcified by placing them in a vinegar bath for a couple of hours. Should limescale stains occur, use eucalyptus oil and a soft cloth.

## **Lubrication**

Lubricate only with silicone grease.

## **Maintenance**

Visit our [YouTube channel](#) → where there are instructional videos for changing the ceramic cartridge, changing aerators and more.

---

## **Dimensions/Weight**

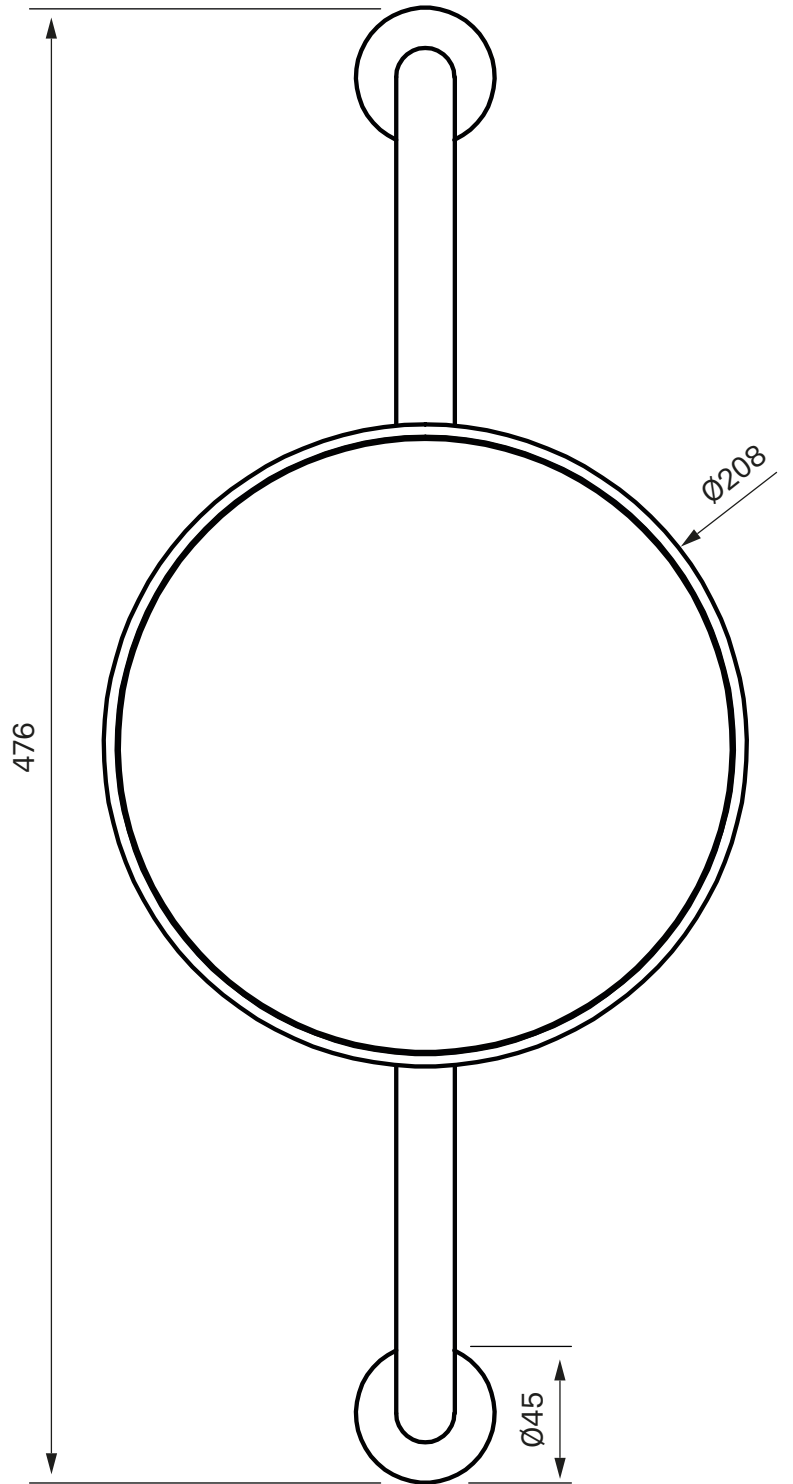
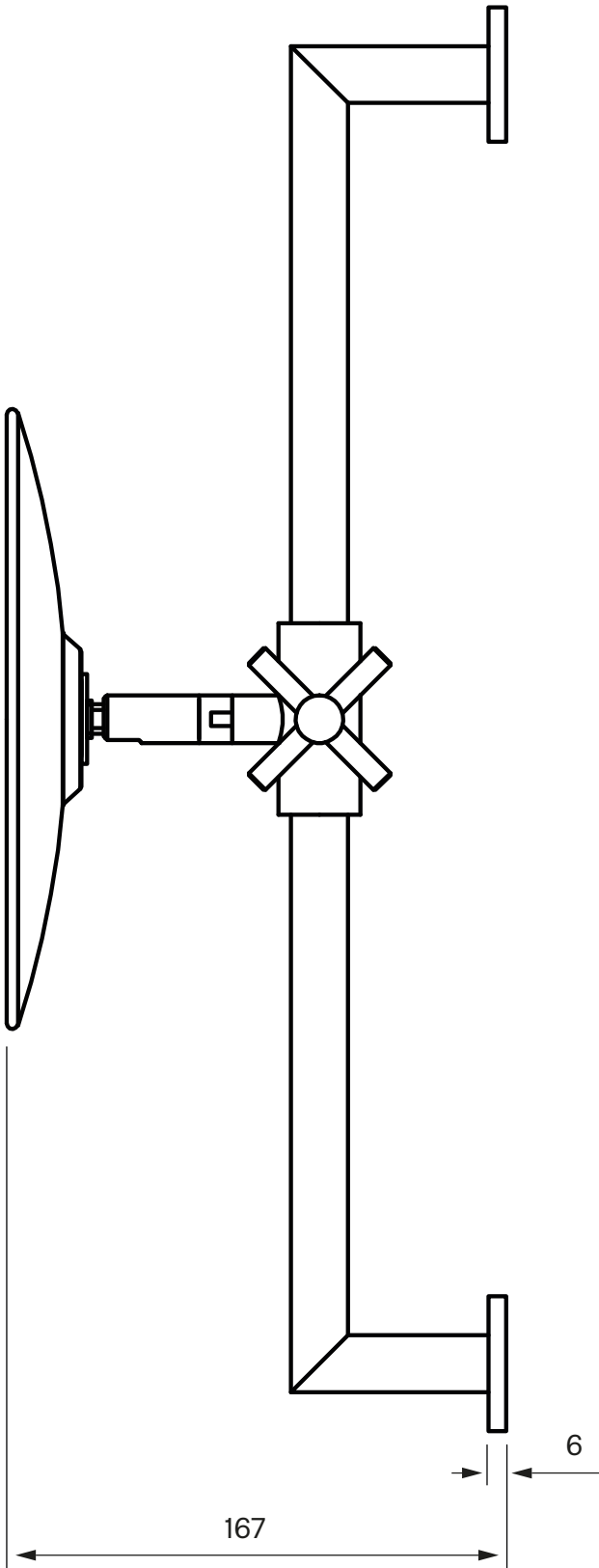
Product - Width - 208 mm

Product - Depth - 167 mm

Product - Height - 476 mm

# Tapwell

Drawing - PDF



# Tapwell

## Exploded View

1. Upper bar 225 x 66 x Ø19 mm
2. Threaded pipe M10 x 1 x 15
3. Screw plug Ø6 x 30 mm
4. Wall mount Ø34,6 x 29,5 mm
5. Screw M4 x 35 mm
6. Plate Ø45 x 6 mm
7. Allan screw M5 x 8 mm
8. Lower bar 225 x 66 x Ø19 mm
9. Mirror frame Ø208 x 25 x 0,6 mm
10. Double-sided foam tape 20 x 40 x 2 mm
11. Gasket
12. Ring
13. Nut M10 x 1 x 5 mm
14. Mirror Ø201 x 2 mm

