

Tapwell

TA235 Accessory

TA235 Chrome

Article Number

TA235 Chrome - 9419200
TA235 Matte Black - 9420341
TA235 Polished Brass - 9419201
TA235 Copper - 9420087
TA235 Bronze - 9425849
TA235 Black Chrome - 9419075
TA235 Honey Gold - 9419199
TA235 Brushed Black Chrome - 9422578
TA235 Brushed Nickel - 9420746
TA235 Ascot Grey - 9422826

Toilet paper holder without lid.



Tapwell

Cleaning

Wipe the surface with a soft cloth and lukewarm water and possibly with soap solution. Avoid alkaline, acid-liming or abrasive cleaners.

Brass is a material that over time gets a beautiful patina but can be polished with brass polish. Copper also gets patina but should not be polished. The other shiny surfaces retain their luster.

Decalcification

Aerators and shower handles should be regularly decalcified by placing them in a vinegar bath for a couple of hours. Should limescale stains occur, use eucalyptus oil and a soft cloth.

Lubrication

Lubricate only with silicone grease.

Maintenance

Visit our [YouTube channel](#) → where there are instructional videos for changing the ceramic cartridge, changing aerators and more.

Dimensions/Weight

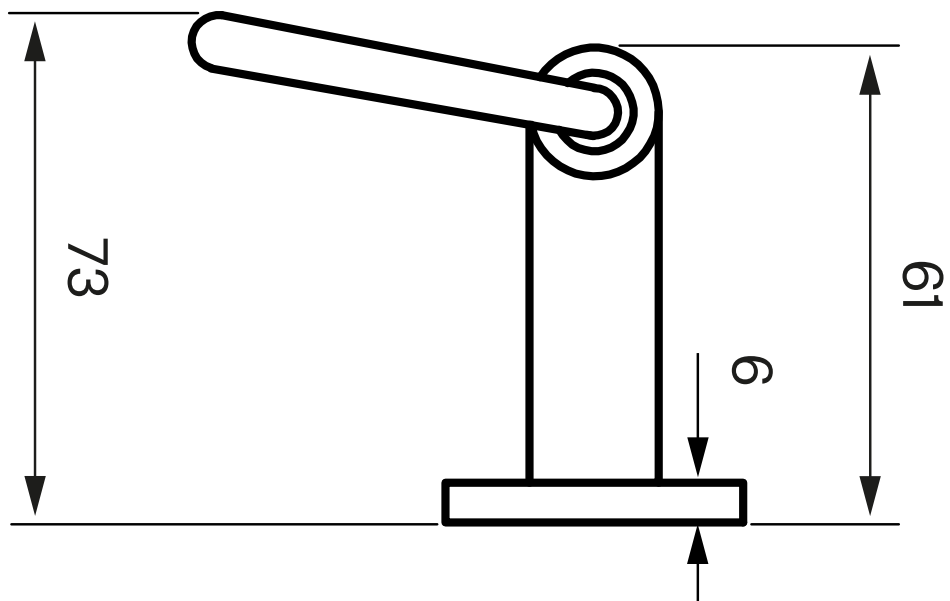
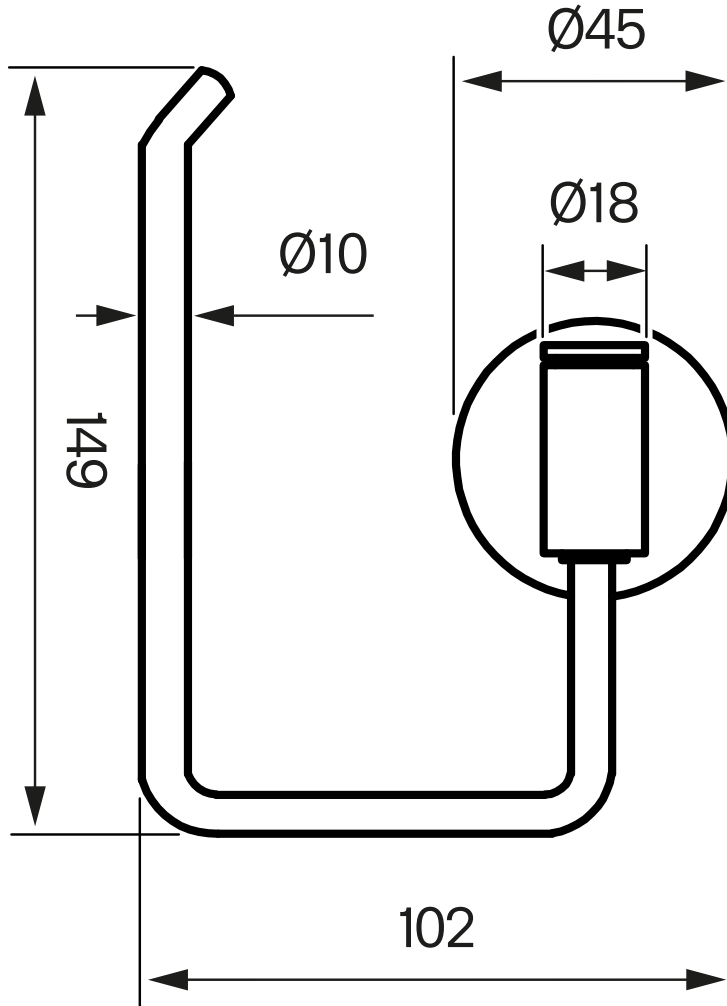
Product - Width: 149 mm

Product - Depth: 73 mm

Product - Height: 102 mm

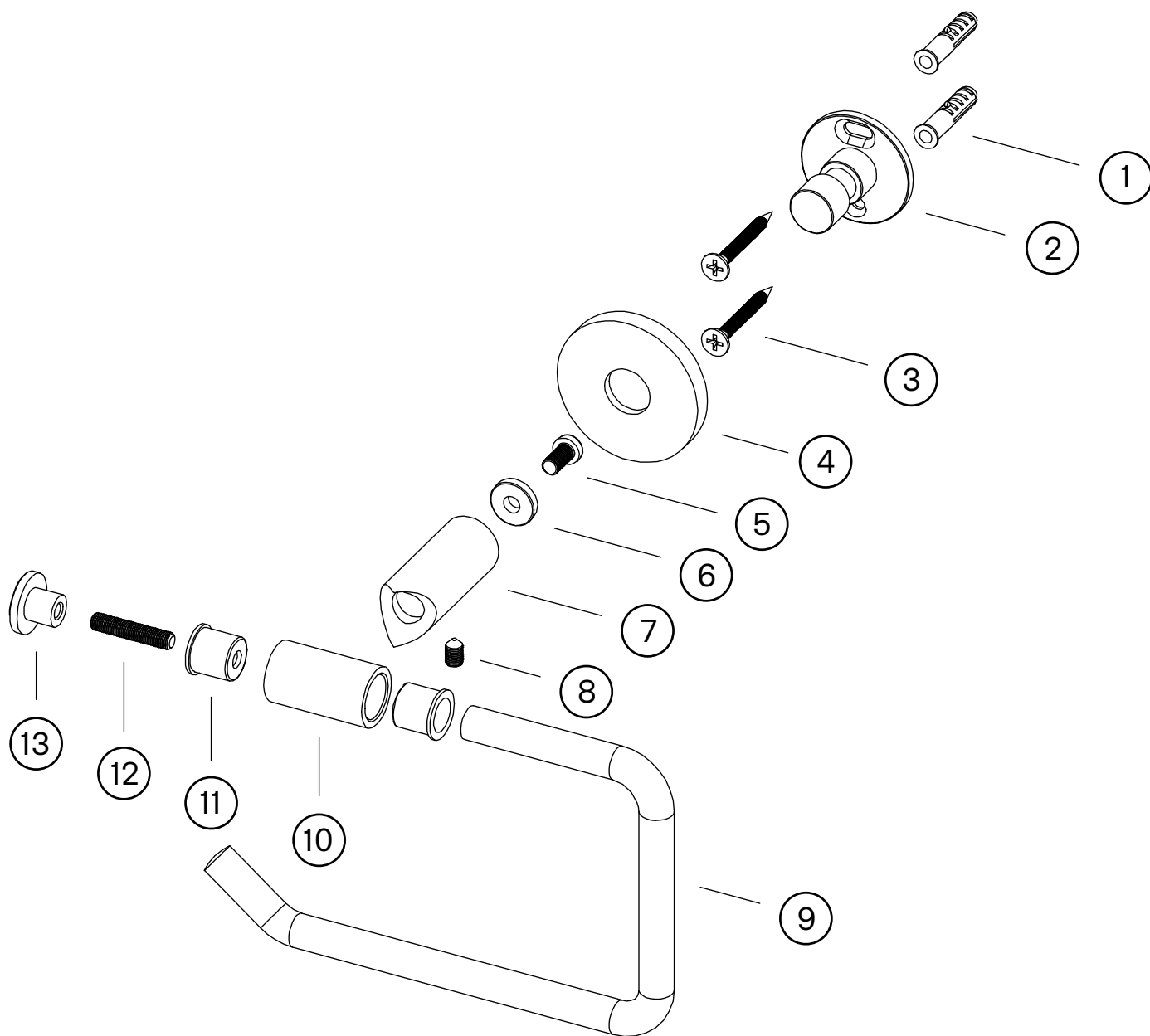
Tapwell

Drawing - PDF



Tapwell

Exploded View



1. Screw plug Ø6 x 30 mm
2. Wall mount Ø34,6 x 29,5 mm
3. Screw M4 x 35 mm
4. Cover plate Ø45 x 6 mm
5. Screw M4 x 10 mm
6. Seal plate
7. Cylinder Ø18 x 46,8 mm
8. Allan screw M5 x 8 mm
9. Holder
10. Cylinder Ø18 x 31,3 mm
11. Insert Ø14,7 x 12,7 x 1 mm
12. Allan screw M5 x 25 mm
13. Cover cap Ø18 x 11,2 mm