

## TA814 Accessory

---

TA814 Chrome

---

### Article Number

TA814 Chrome - 9419153  
TA814 Matte Black - 9420586  
TA814 Polished Brass - 9419154  
TA814 Copper - 9420092  
TA814 Bronze - 9426181  
TA814 Black Chrome - 9419159  
TA814 Honey Gold - 9419158  
TA814 Brushed Black Chrome - 9422842  
TA814 Brushed Nickel - 9421135  
TA814 Ascot Grey - 9422843

---

Towel rack.



## **Cleaning**

Wipe the surface with a soft cloth and lukewarm water and possibly with soap solution. Avoid alkaline, acid-liming or abrasive cleaners.

Brass is a material that over time gets a beautiful patina but can be polished with brass polish. Copper also gets patina but should not be polished. The other shiny surfaces retain their luster.

## **Decalcification**

Aerators and shower handles should be regularly decalcified by placing them in a vinegar bath for a couple of hours. Should limescale stains occur, use eucalyptus oil and a soft cloth.

## **Lubrication**

Lubricate only with silicone grease.

## **Maintenance**

Visit our [YouTube channel](#) → where there are instructional videos for changing the ceramic cartridge, changing aerators and more.

---

## **Dimensions/Weight**

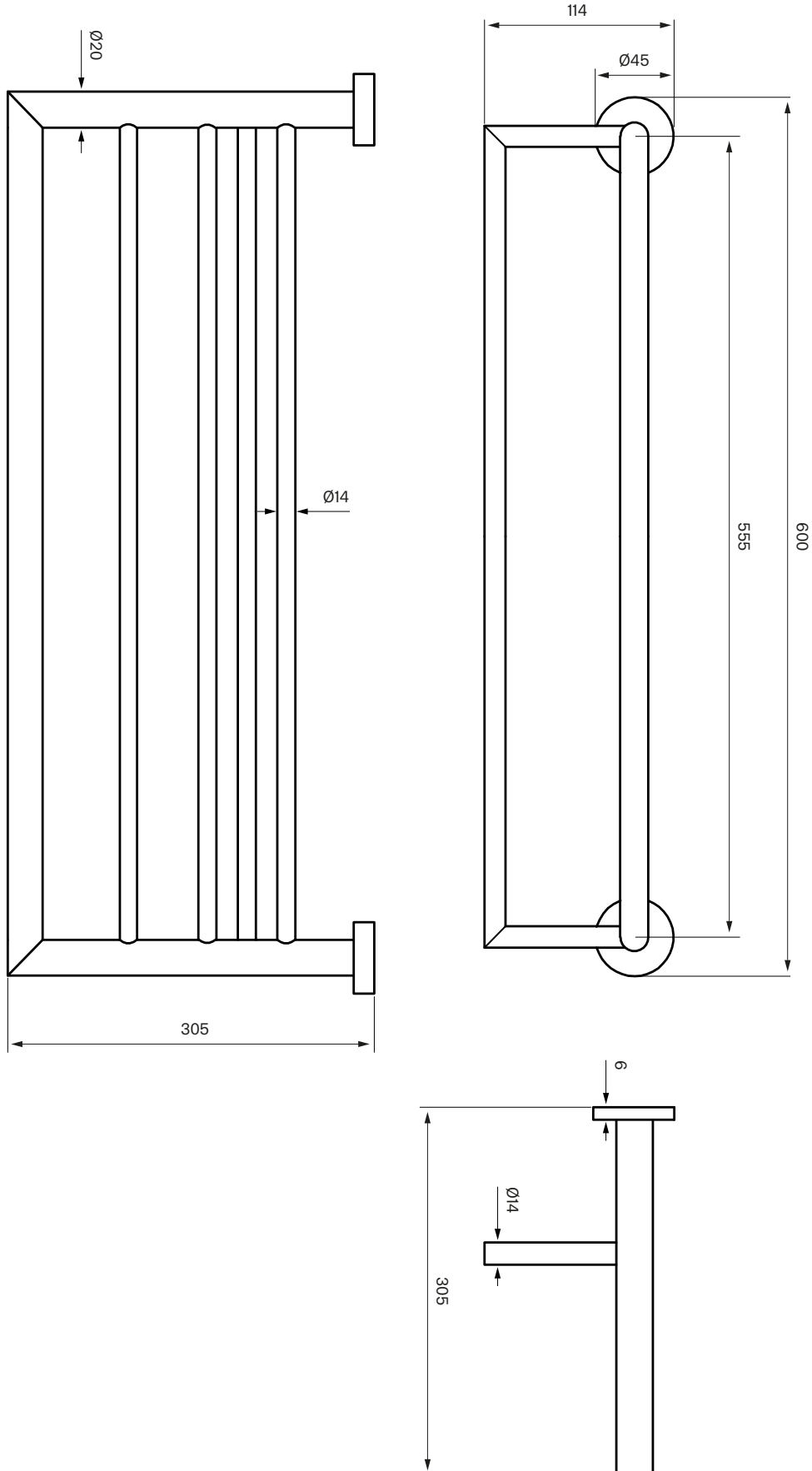
Product - Width - 600 mm

Product - Depth - 305 mm

Product - Height - 114 mm

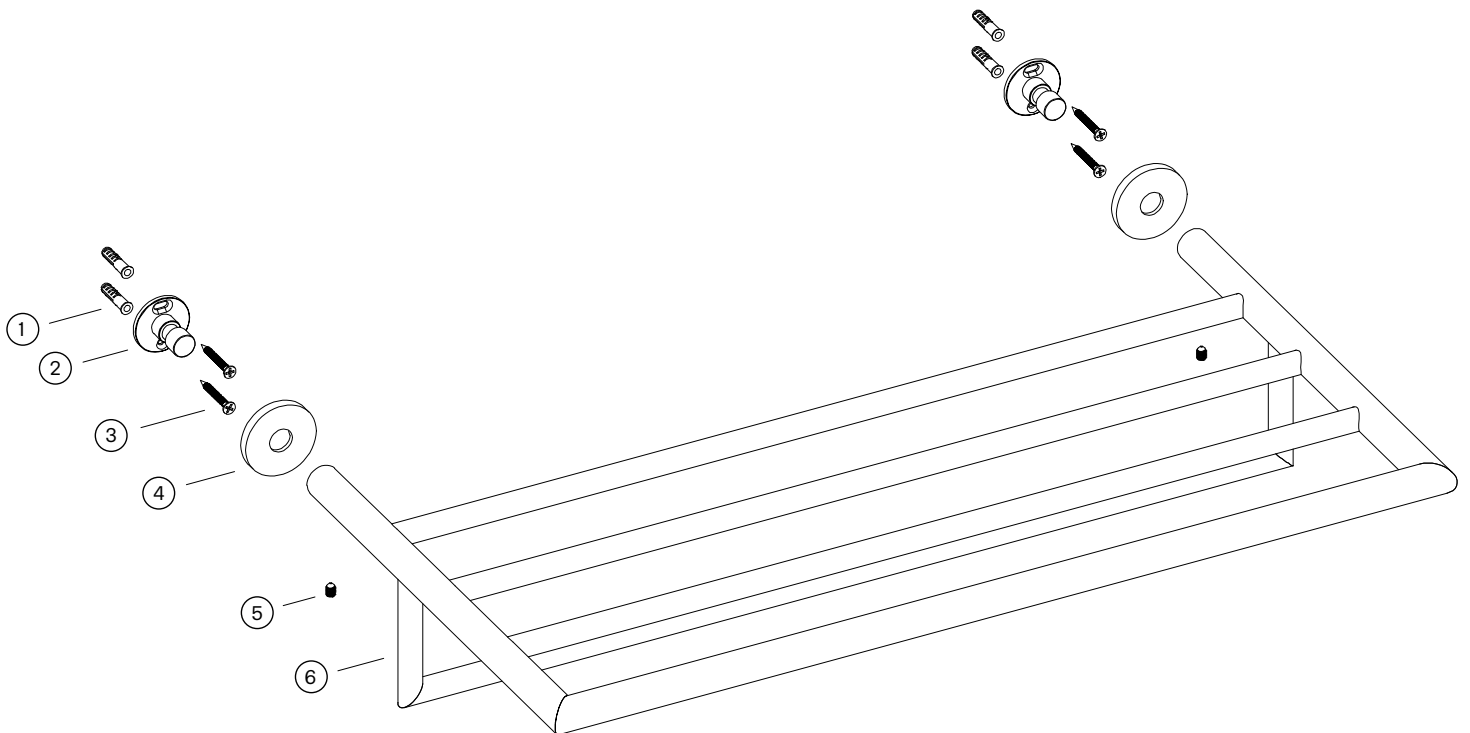
# Tapwell

## Drawing - PDF



# Tapwell

## Exploded View



1. Screw plugg  $\text{Ø}6 \times 30 \text{ mm}$
2. Wall mount  $\text{Ø}34,6 \times 29,5 \text{ mm}$
3. Screw  $\text{M}4 \times 35 \text{ mm}$
4. Plate  $\text{Ø}45 \times 6 \text{ mm}$
5. Allan screw  $\text{M}5 \times 8 \text{ mm}$
6. Towel rack