

## BOX008 Washbasin mixer

---

BOX008 Chrome

---

### Article Number

BOX008 Chrome - 8553370  
BOX008 Matte Black - 9418330  
BOX008 Polished Brass - 9418108  
BOX008 Copper - 9418604  
BOX008 Bronze - 9424541  
BOX008 Black Chrome - 9419302  
BOX008 Honey Gold - 9420322  
BOX008 Brushed Black Chrome - 9422572  
BOX008 Brushed Nickel - 9421346  
BOX008 Ascot Grey - 9422820

---

Wash basin mixer for wall mount, spout 230 mm. To be combined with [T BOX 2.0 Small](#). →



## Cleaning

Wipe the surface with a soft cloth and lukewarm water and possibly with soap solution. Avoid alkaline, acid-liming or abrasive cleaners.

Brass is a material that over time gets a beautiful patina but can be polished with brass polish. Copper also gets patina but should not be polished. The other shiny surfaces retain their luster.

## Decalcification

Aerators and shower handles should be regularly decalcified by placing them in a vinegar bath for a couple of hours. Should limescale stains occur, use eucalyptus oil and a soft cloth.

## Lubrication

Lubricate only with silicone grease.

## Maintenance

Visit our [YouTube channel](#) → where there are instructional videos for changing the ceramic cartridge, changing aerators and more.

---

## Specifications

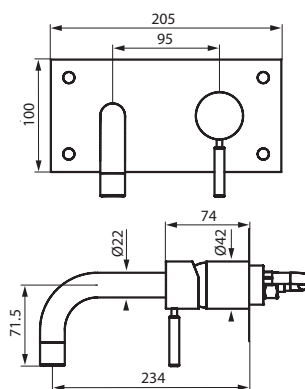
Connection inlet - Flexible hose with nut  
Number of grips - One grip  
Number of outgoing connections - 1  
Dimension inlet - 10 mm  
Built in - No  
Sound class - Grupp I, <=20 dB(A)  
Lift valve - No  
Length protrusion outlet head - 234 mm  
Machine shutdown - No  
Turnable head - No

## Dimensions/Weight

Package - Depth - 430 mm  
Package - Width - 260 mm  
Package - Height - 140 mm  
Package - Weight - 2,20 kg  
Package - Volume - 0,02 m<sup>3</sup>  
Building height underneath outlet - 71 mm  
Product - Width - 205 mm  
Product - Depth - 234 mm  
Product - Height - 100 mm  
Total building height - 100 mm

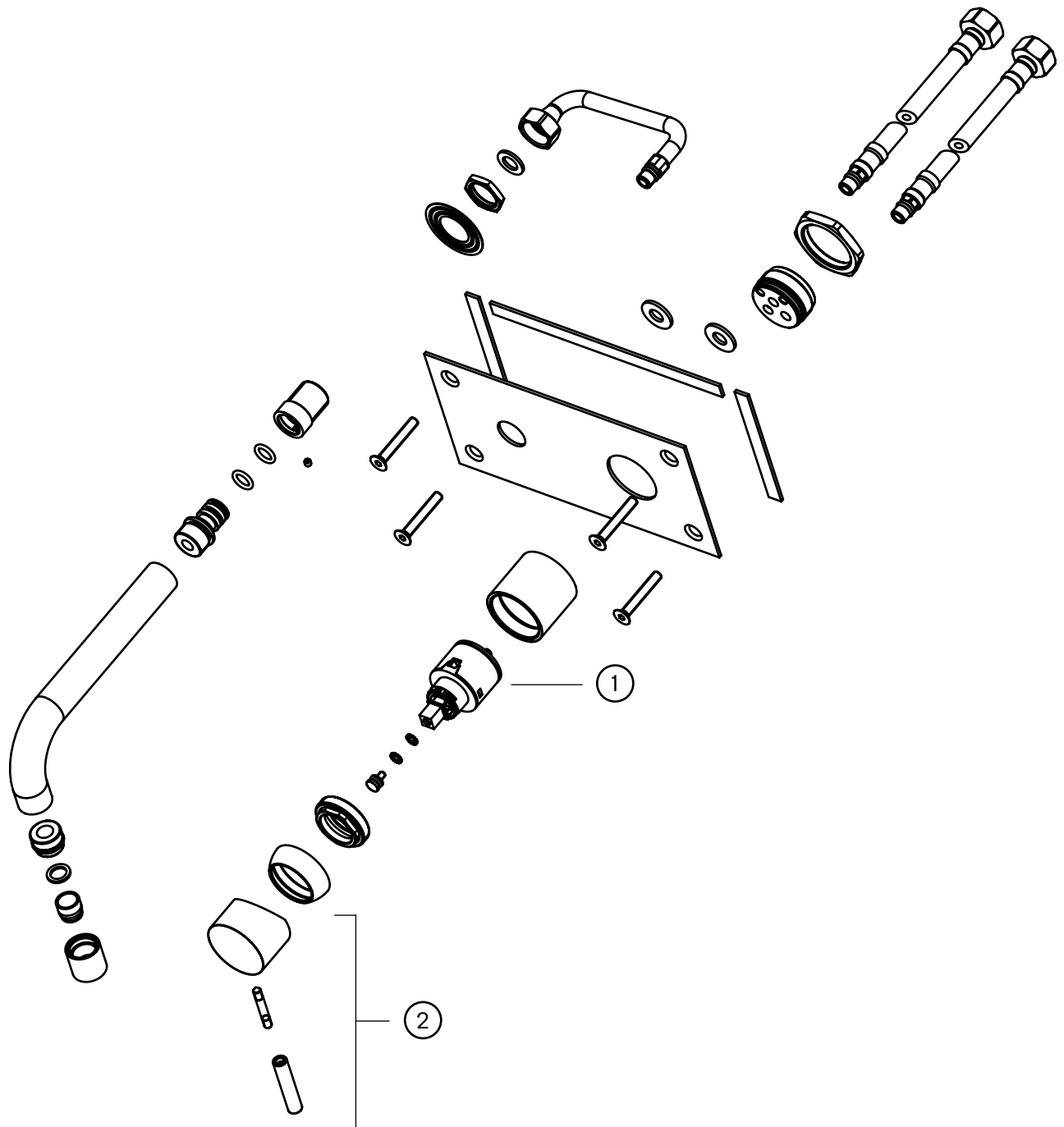
# Tapwell

Drawing - PDF



# Tapwell

## Exploded View



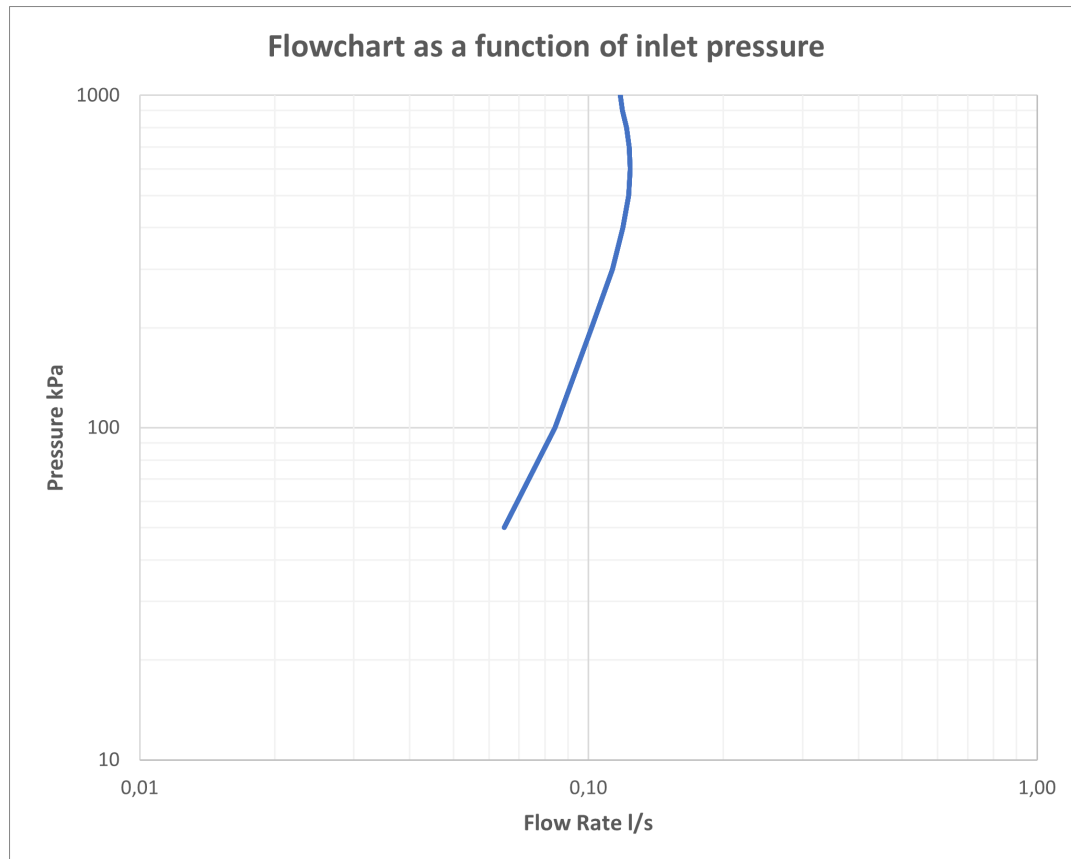
1. ZA91104 Hydroplast ø35
2. ZLEV505

# Tapwell

## Pressure drop diagram

### FLOWCHART

BOX008



### DATA

Pressure (kPa)	Flow lit/min	Flow lit/s
50	3,9	0,06
100	5,1	0,08
200	6,1	0,10
300	6,8	0,11
400	7,2	0,12
500	7,4	0,12
600	7,4	0,12
700	7,4	0,12
800	7,3	0,12
900	7,2	0,12
1000	7,1	0,12