

BOX026 Bath mixer

BOX026 Chrome

Article Number

BOX026 Chrome - 8236430
BOX026 Matte Black - 9421022
BOX026 Polished Brass - 9418479
BOX026 Copper - 9420445
BOX026 Bronze - 9425852
BOX026 Black Chrome - 9420430
BOX026 Honey Gold - 9419305
BOX026 Brushed Black Chrome - 9420800
BOX026 Brushed Nickel - 9421279

Bath- and shower mixer, including handshower, flexible hose and metal bracket. To be combined with [T BOX 2.0 Small](#). →



Cleaning

Wipe the surface with a soft cloth and lukewarm water and possibly with soap solution. Avoid alkaline, acid-liming or abrasive cleaners.

Brass is a material that over time gets a beautiful patina but can be polished with brass polish. Copper also gets patina but should not be polished. The other shiny surfaces retain their luster.

Decalcification

Aerators and shower handles should be regularly decalcified by placing them in a vinegar bath for a couple of hours. Should limescale stains occur, use eucalyptus oil and a soft cloth.

Lubrication

Lubricate only with silicone grease.

Maintenance

Visit our [YouTube channel](#) → where there are instructional videos for changing the ceramic cartridge, changing aerators and more.

Specifications

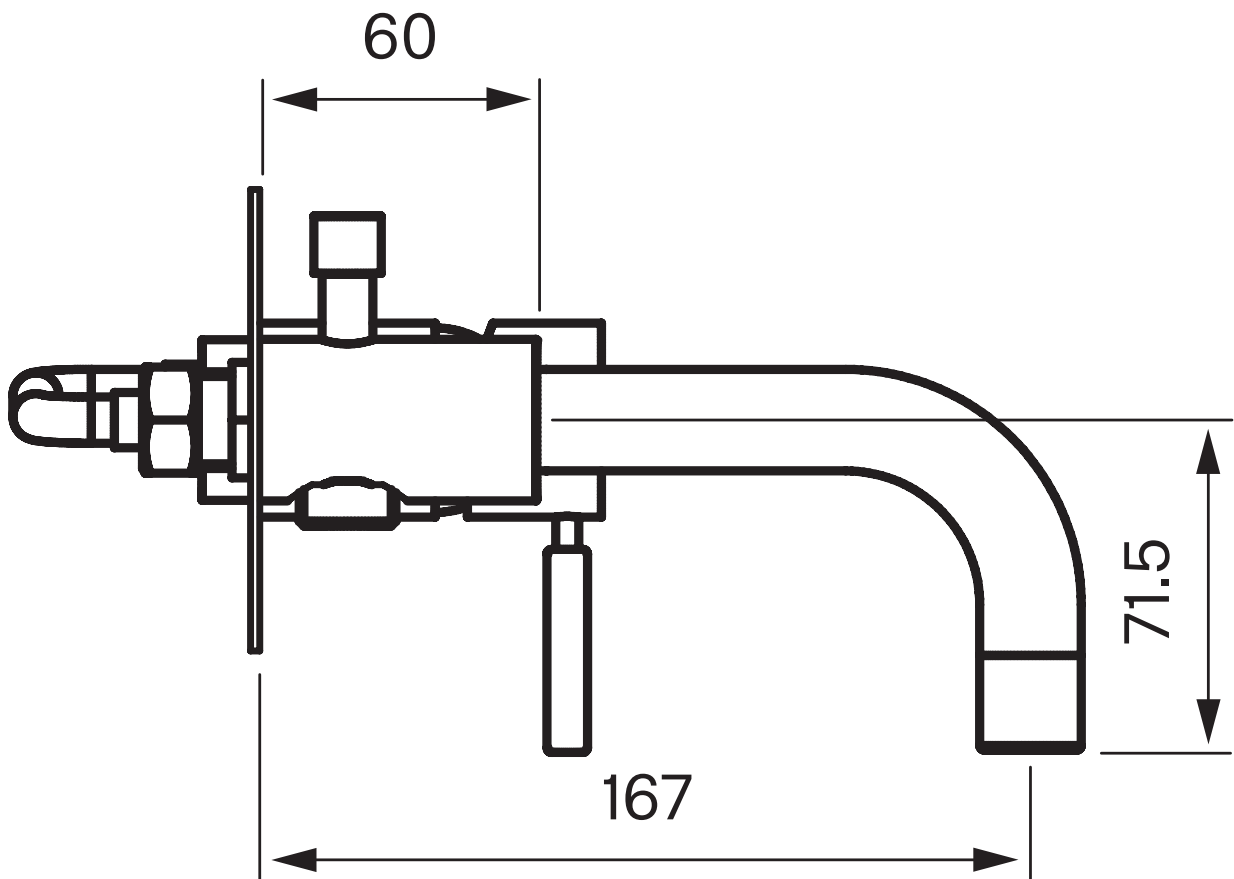
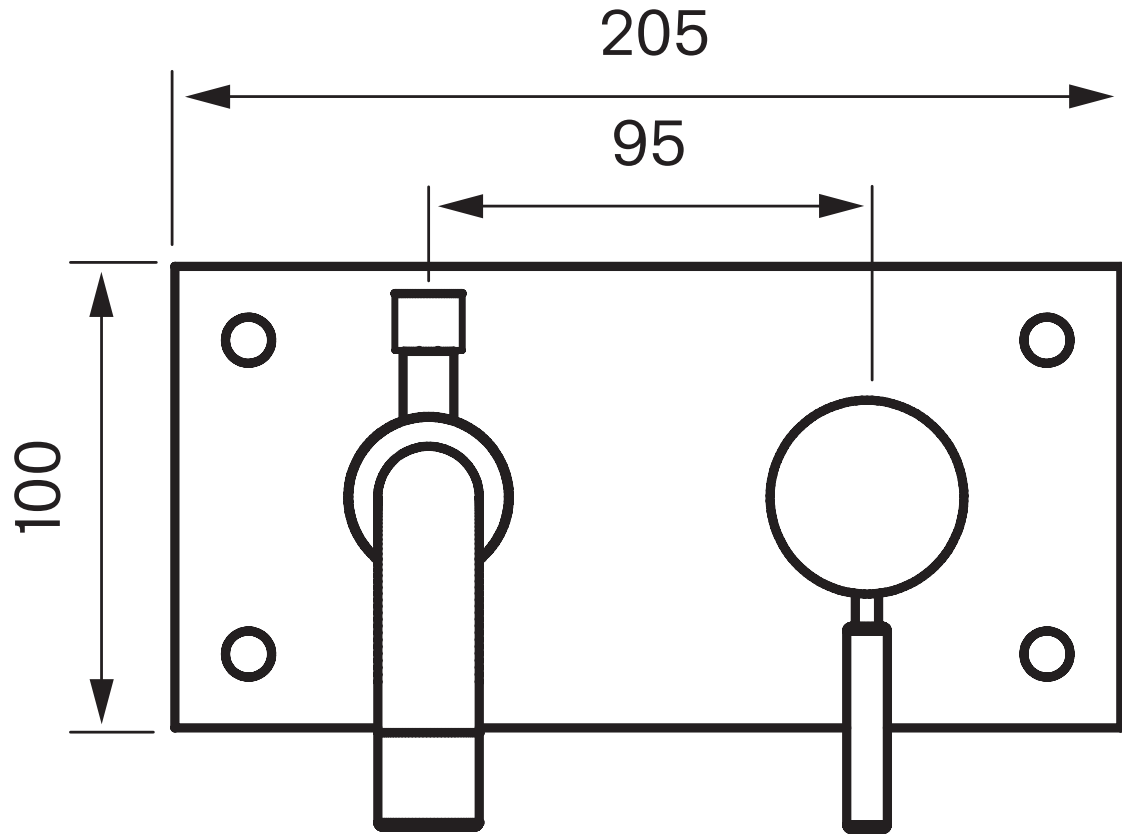
Connection inlet - Flexible hose with nut
Number of grips - One grip
Number of outgoing connections - 2
Dimension inlet - 1/2 tum
Built in - Yes
Length protrusion outlet head - 167 mm
Turnable head - No

Dimensions/Weight

Package - Depth - 340 mm
Package - Width - 220 mm
Package - Height - 190 mm
Product - Width - 205 mm
Product - Depth - 167 mm
Product - Height - 100 mm
Total building height - 100 mm

Tapwell

Drawing - PDF

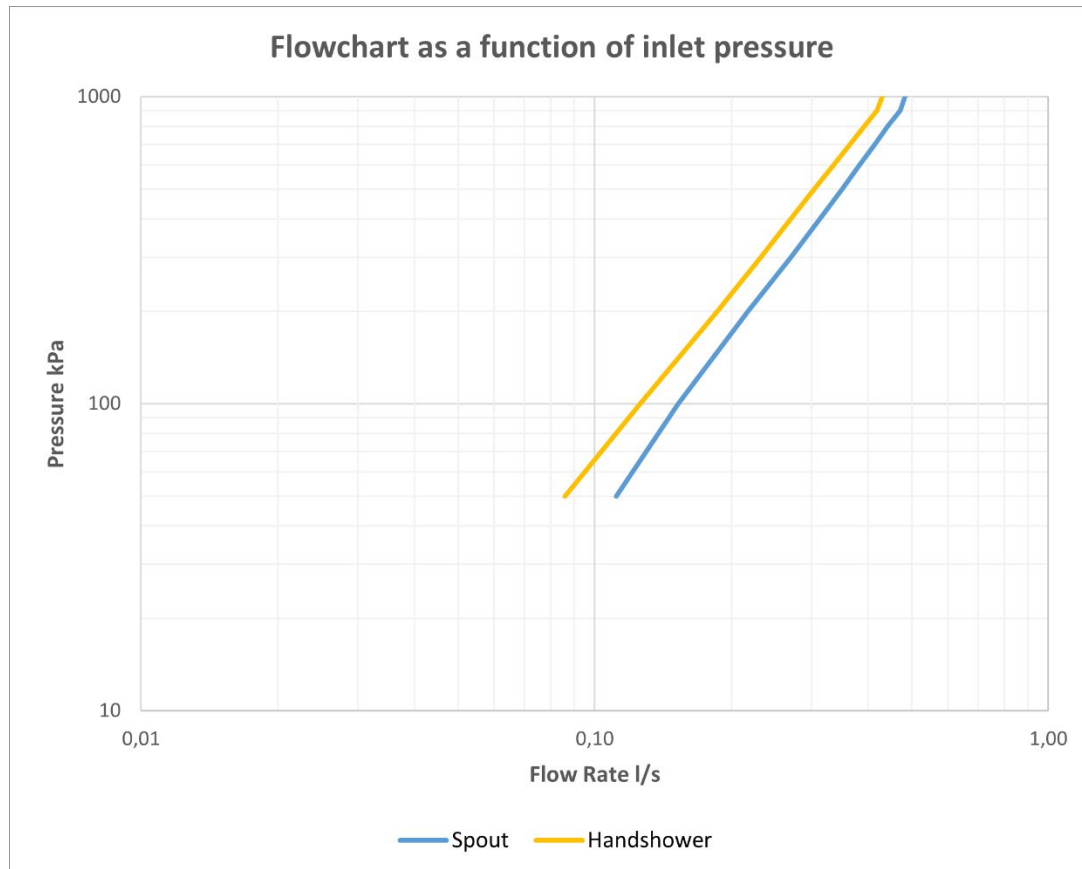


Tapwell

Pressure drop diagram

FLOWCHART

BOX026



DATA

Pressure (kPa)	Spout		Handshower	
	Flow lit/min	Flow lit/s	Flow lit/min	Flow lit/s
50	6,7	0,11	5,2	0,09
100	9,2	0,15	7,6	0,13
200	13,1	0,22	11,2	0,19
300	16,2	0,27	13,9	0,23
400	18,8	0,31	16,2	0,27
500	21,0	0,35	18,3	0,30
600	23,0	0,38	20,2	0,34
700	24,8	0,41	21,9	0,37
800	26,5	0,44	23,6	0,39
900	28,3	0,47	25,1	0,42
1000	29,0	0,48	25,8	0,43