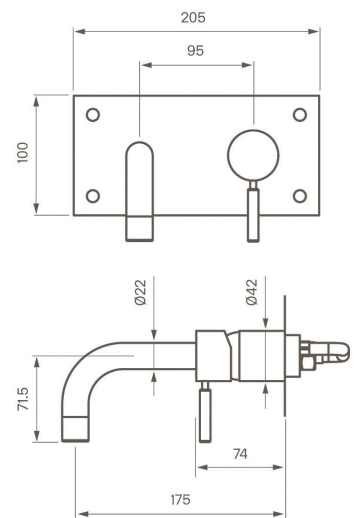


Operation & maintenance



BOX 006

Wash basin mixer

Article number:

Chrome **8553371**

Brass **9418109**

Rose Gold **9418698**

Black Chrome **9418950**

Honey Gold **9419132**

White Gold **9419131**

Ceramic cartridge: **ZA91104 Hydroplast**

Cleaning

Wipe the surface with a soft cloth and luke-warm water and possibly a mild soap. The surface withstands no basic, acidic, lime dissolving or abrasive detergents.

Brass is a material that over time will get a beautiful patina but can be polished with brass polish.

The other surfaces keep their shine and Honey Gold, Rose Gold and White Gold gets the luster from 2-3% real gold.

Decalcification

Aerators shall regularly be decalcified by water and vinegar mix for a few hours.

Lubrication

Lubricate only with silicone grease.

Tapwell

Flow rate

